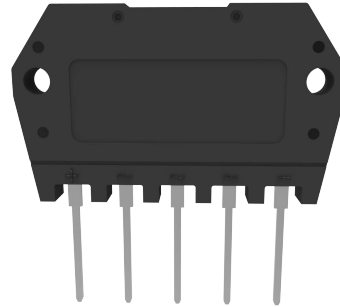


Mechanical Data

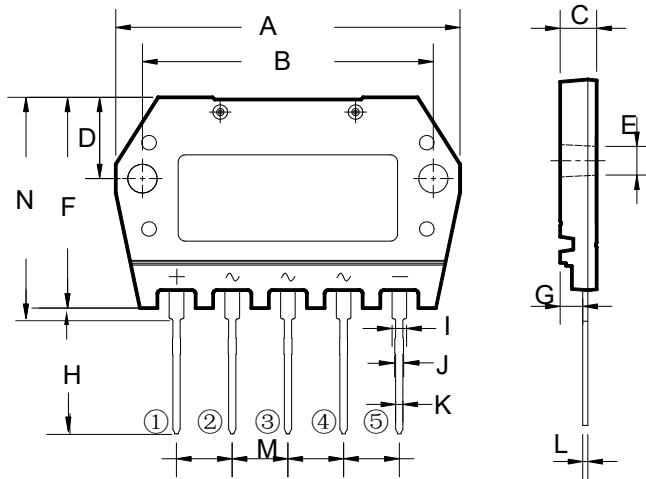
- Weight: 15.7500 grams (Approximate)
- Halogen Free Available Upon Request By Adding Suffix "-HF"
- Epoxy Meets UL 94 V-0 Flammability Rating
- Lead Free Finish/RoHS Compliant (Note¹) ("P" Suffix Designates RoHS Compliant. See Ordering Information)

Package 3D Photo



Note: 1. High Temperature Solder Exemption Applied, see EU Directive Annex 7a.

Package Outline Dimensions



DIMENSIONS					
DIM	INCHES		MM		NOTE
	MIN	MAX	MIN	MAX	
A	1.834	1.874	46.60	47.60	
B	1.555	1.579	39.50	40.10	
C	0.185	0.209	4.70	5.30	
D	0.433	0.457	11.00	11.60	
E	0.157	0.177	4.00	4.50	
F	1.134	1.173	28.80	29.80	
G	0.118	0.126	3.00	3.20	
H	0.677	0.701	17.20	17.80	
I	0.075	0.083	1.90	2.10	
J	0.039	0.047	1.00	1.20	
K	0.035	0.043	0.90	1.10	
L	0.024	0.031	0.60	0.80	
M	0.296	0.304	7.52	7.72	
N	1.193	1.232	30.30	31.30	

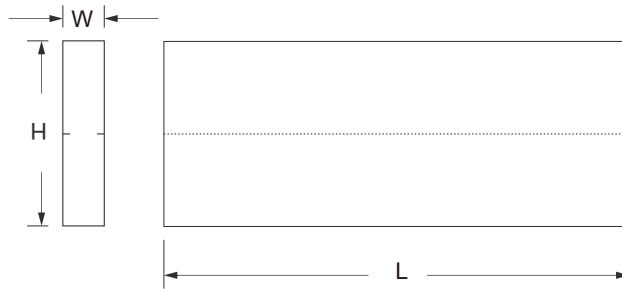
Packing Quantity

Package	Package Type	Tube Quantity	Box Quantity	Carton Quantity
TSB-5	Tube	12	120	960

Note 1: These are minimum package quantities only. Minimum orders will differ. Contact the factory for more information on minimum order quantities.

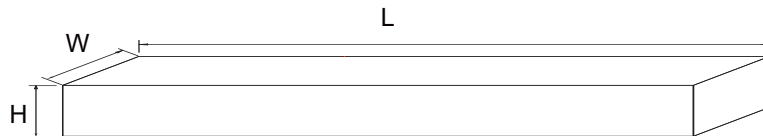
Dimensions

Tube Size



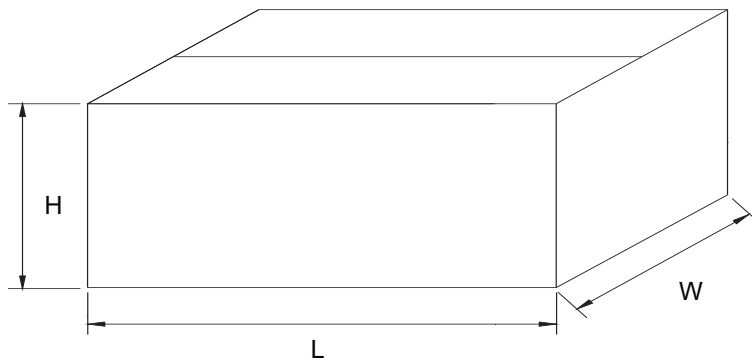
Description	Dimension	Specification(mm typical)
Length	L	600
Width	W	55.5
Height	H	7.5

Inbox Size



Description	Dimension	Specification(mm typical)
Length	L	620
Width	W	58
Height	H	110

Carton Size



Description	Dimension	Specification(mm typical)
Length	L	640
Width	W	225
Height	H	250