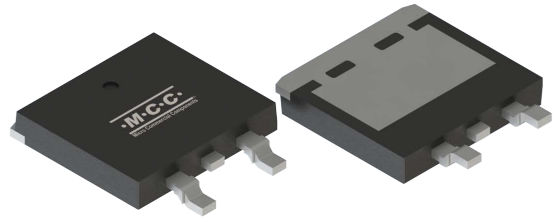


**Mechanical Data**

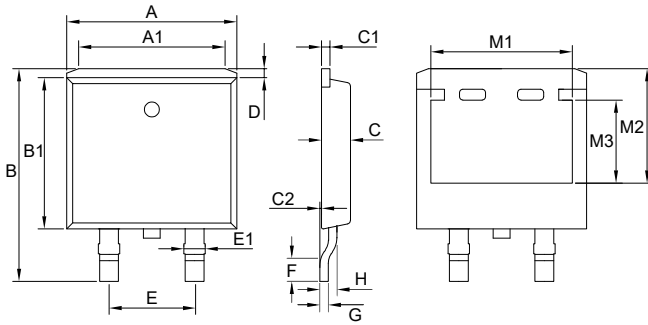
- Surface Mount Package
- Weight: 1.55 grams (Approximate)
- Moisture Sensitivity Level Refer to Product Datasheet
- Halogen Free. "Green" Device (Note 1)
- Epoxy Meets UL 94 V-0 Flammability Rating
- Lead Free Finish/RoHS Compliant (Note2) ("P" Suffix Designates RoHS Compliant. See Ordering Information)

Note:1. Free "Green" products are defined as those which contain <900ppm bromine, <900ppm chlorine (<1500ppm total Br + Cl) and <1000ppm antimony compounds.  
2. High Temperature Solder Exemption Applied, see EU Directive Annex 7a.

**Package 3D Photo**

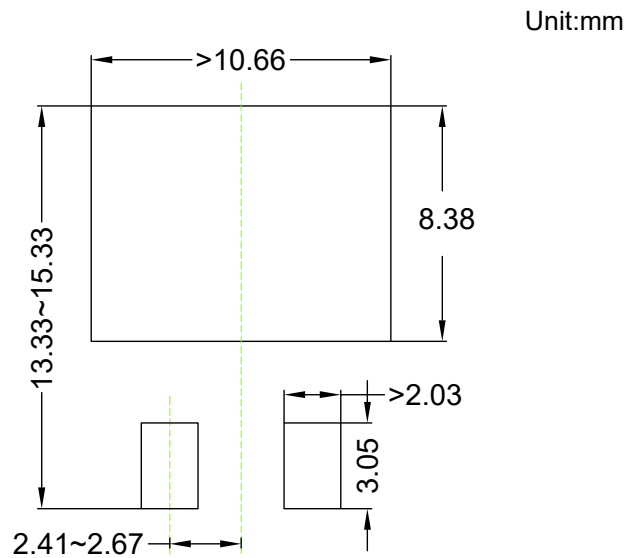


**Package Outline Dimensions**



DIM	DIMENSIONS				NOTE
	INCHES		MM		
	MIN	MAX	MIN	MAX	
A	0.388	0.407	9.85	10.35	
A1	0.323	0.339	8.20	8.60	
B	0.467	0.490	11.85	12.45	
B1	0.346	0.361	8.78	9.18	
C	0.062	0.074	1.57	1.87	
C1	0.014	0.026	0.35	0.65	
C2	0.000	0.008	0.00	0.20	
D	0.015	0.027	0.39	0.69	
E	0.196	0.204	4.98	5.18	
E1	0.044	0.056	1.12	1.42	
F	0.051	0.059	1.30	1.50	
G	0.014	0.026	0.35	0.65	
H	0.033	0.049	0.85	1.25	
M1	0.327	0.343	8.30	8.70	
M2	0.264	0.280	6.70	7.10	
M3	0.185	0.201	4.70	5.10	

**Suggested Solder Pad Layout**



Notes:

- 1.The suggested land pattern dimensions have been provided for reference only.
- 2.For further information,please reference document IPC-7351A.

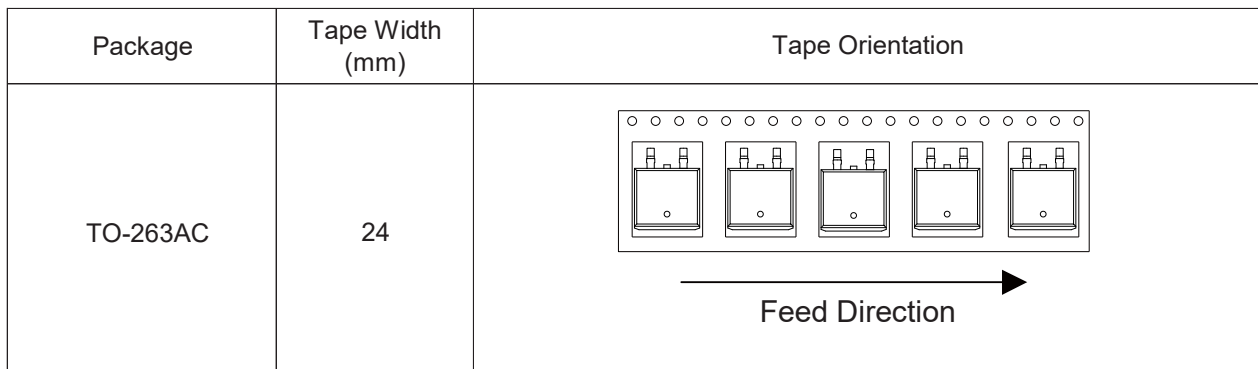
**Packing Quantity**

Package	Tape Width (mm)	Reel Size (inch)	Reel Quantity	BOX Quantity	Carton Quantity
TO-263AC	24	13	1500	1500	7500

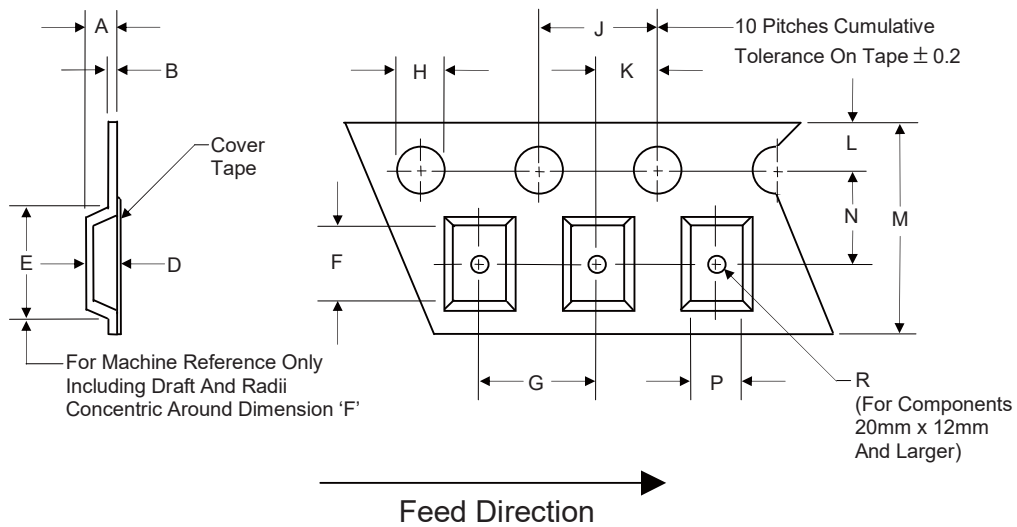
Note 1: These are minimum package quantities only. Minimum orders will differ. Contact the factory for more information on minimum order quantities.

Note 2: MCC Tape&reel products meets EIA-481 REV D specification.

**Device Tape Orientation**



**Embossed Carrier Tape Specifications**



Tape Width	H	L	J	B	D	F	P
24mm	1.5	1.75	4.0	0.5	See Note 3		
(Tolerance)	+0.1/-0	±0.1	±0.1	Max			

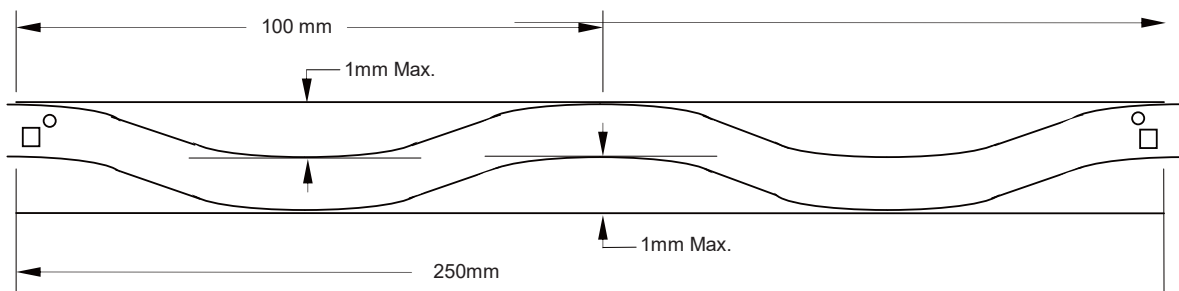
Tape Width	E	R	N	A	K	M	G
24mm	20.1	1.5	11.5	6.1	2.0	24.0	16.0
(Tolerance)	Max	Min	± 0.10	Max	± 0.10	±0.3	±0.1

Note 3: D,E,F are determined by constant size. The clearance between the part and the tape cavity must be within 0.05mm min. to 1.20mm max. for 24mm tape.

## Embossed Carrier Tape Specifications

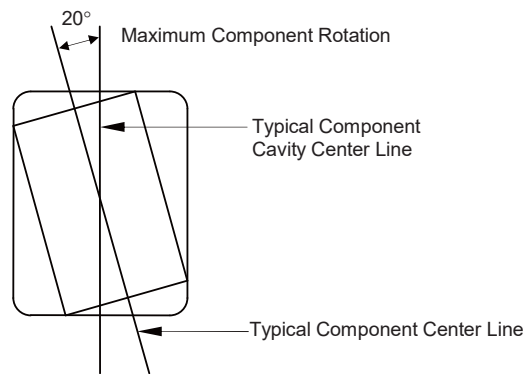


Tape Size	R Min.
21mm	30mm

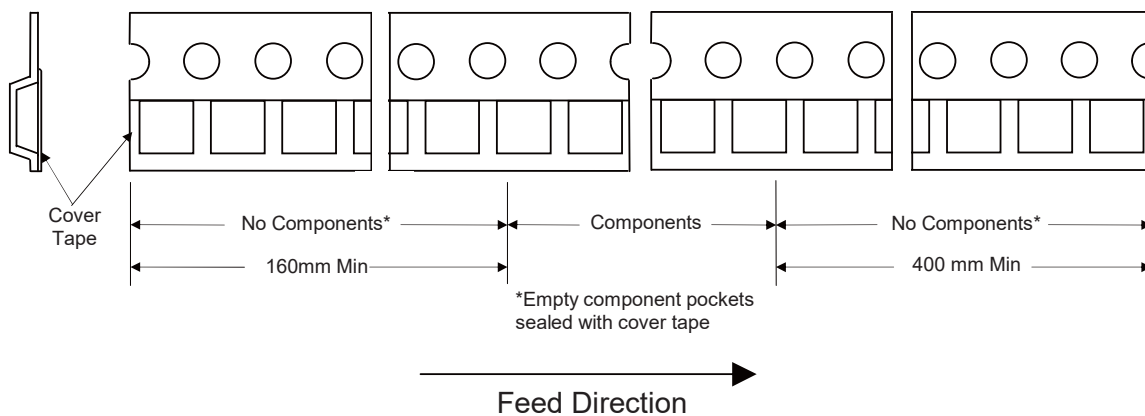


Camber (Top View)

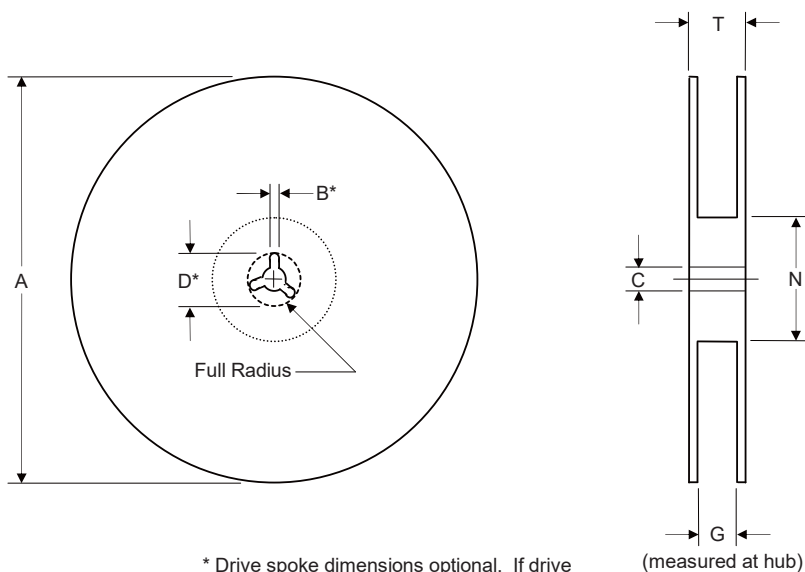
Allowable camber to be 1mm/100mm non-accumulative over 250mm



## Start and Finish Specification



## Surface Mount Reel Specifications



\* Drive spoke dimensions optional. If drive spoke is used then asterisked dimensions apply.

Tape Width	A	B	C	D	N	G	T
24mm	335	1.5	5.8	20.2	99	24.4	31.4
(Tolerance)	Max	Min	±0.2	Min	Min	+2.0	Max

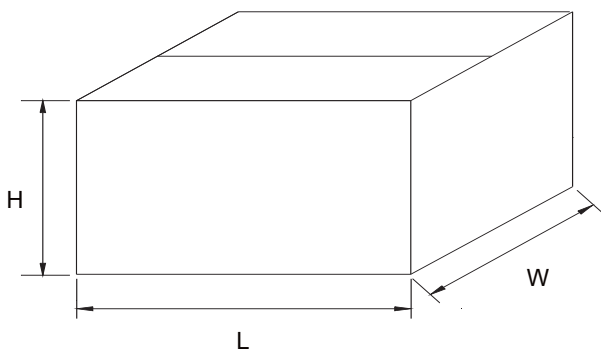
## Reel Dimensions

### Inbox Size



Description	Dimension	Specification(mm typical)
Length	L	365
Width	W	345
Height	H	50

### Carton Size



Description	Dimension	Specification(mm typical)
Length	L	387
Width	W	275
Height	H	360