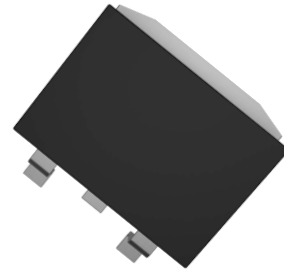


**Mechanical Data**

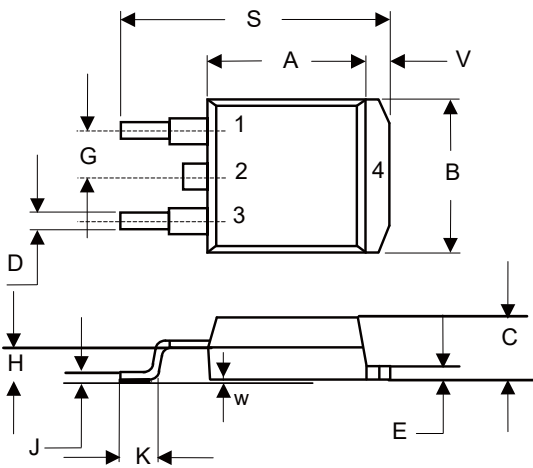
- Surface Mount Package
- Weight: 1.4040 grams (Approximate)
- Moisture Sensitivity Level 1
- Halogen Free Available Upon Request By Adding Suffix "-HF"
- Epoxy Meets UL 94 V-0 Flammability Rating
- Lead Free Finish/RoHS Compliant <sup>(Note1)</sup> ("P" Suffix Designates RoHS Compliant. See Ordering Information)

Note: 1. High Temperature Solder Exemption Applied, see EU Directive Annex 7a.

**Package 3D Photo**



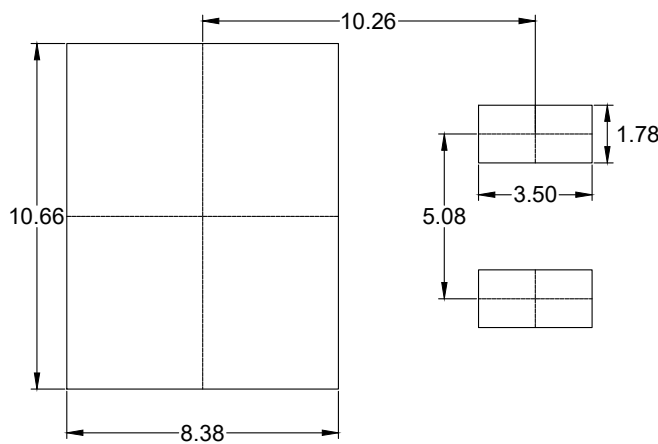
**Package Outline Dimensions**



DIM	DIMENSIONS				NOTE
	INCHES		MM		
	MIN	MAX	MIN	MAX	
A	0.331	0.370	8.40	9.40	
B	0.378	0.417	9.60	10.60	
C	0.165	0.189	4.20	4.80	
D	0.027	0.037	0.68	0.94	
E	0.045	0.055	1.14	1.40	
G	0.10		2.54		TYP.
H	0.096	0.134	2.43	3.40	
J	0.011	0.025	0.28	0.64	
K	0.071	0.131	1.80	3.32	
S	0.575	0.625	14.60	15.87	
V	0.042	0.058	1.07	1.47	
W	0.000	0.010	0.00	0.25	

**Suggested Solder Pad Layout**

Unit:mm



Notes:

- 1.The suggested land pattern dimensions have been provided for reference only.
- 2.For further information,please reference document IPC-7351A.

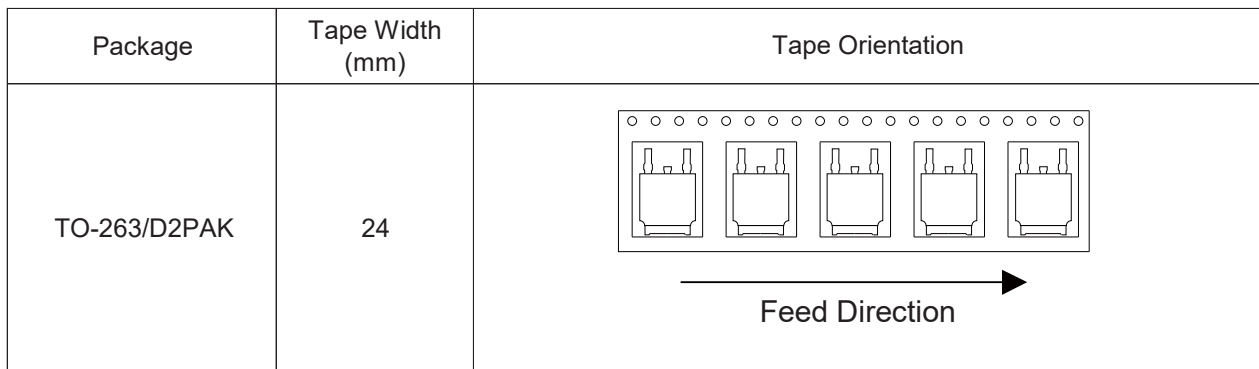
**Packing Quantity**

Package	Tape Width (mm)	Reel Size (inch)	Reel Quantity	BOX Quantity	Carton Quantity
TO-263/D2PAK	24	13	800	1600	8K

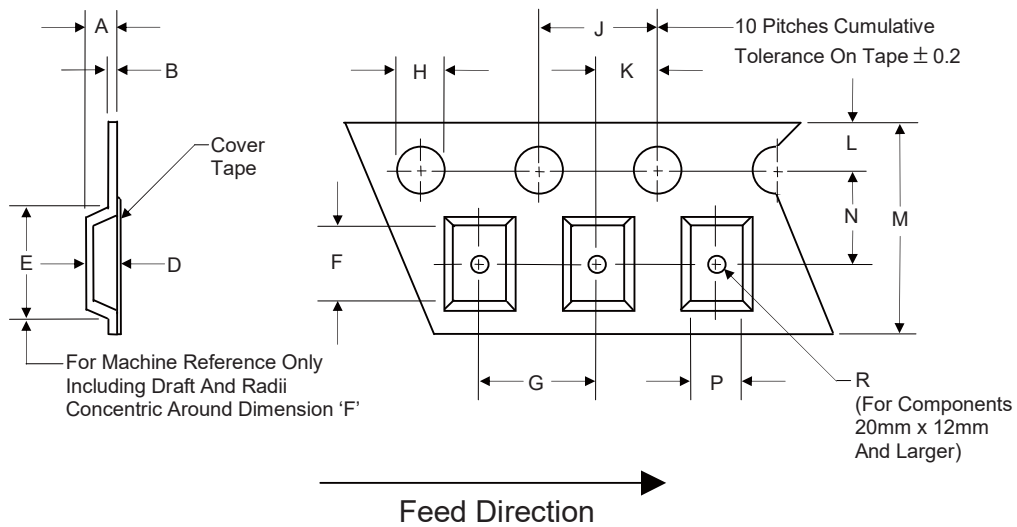
Note 1: These are minimum package quantities only. Minimum orders will differ. Contact the factory for more information on minimum order quantities.

Note 2: MCC Tape&reel products meets EIA-481 REV D specification.

**Device Tape Orientation**



**Embossed Carrier Tape Specifications**



Tape Width	H	L	J	B	D	F	P
24mm	1.5	1.75	4.0	0.6	See Note 3		
(Tolerance)	+0.1/-0	±0.1	±0.1	Max			

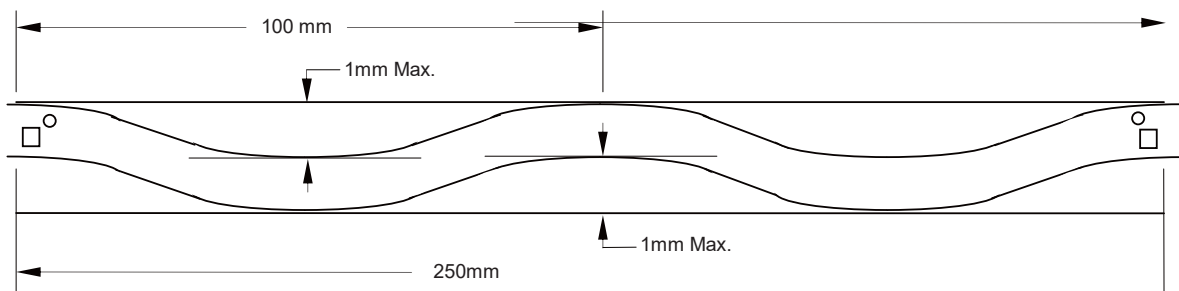
Tape Width	E	R	N	A	K	M	G
24mm	20.1	1.5	11.5	11.9	2.0	24.0	16.0
(Tolerance)	Max	Min	± 0.10	Max	± 0.10	±0.3	±0.1

Note 3: D,E,F are determined by constant size. The clearance between the part and the tape cavity must be within 0.05mm min. to 1.20mm max. for 24mm tape.

## Embossed Carrier Tape Specifications

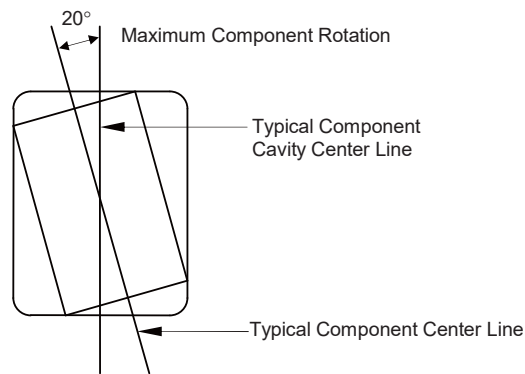


Tape Size	R Min.
24mm	30mm

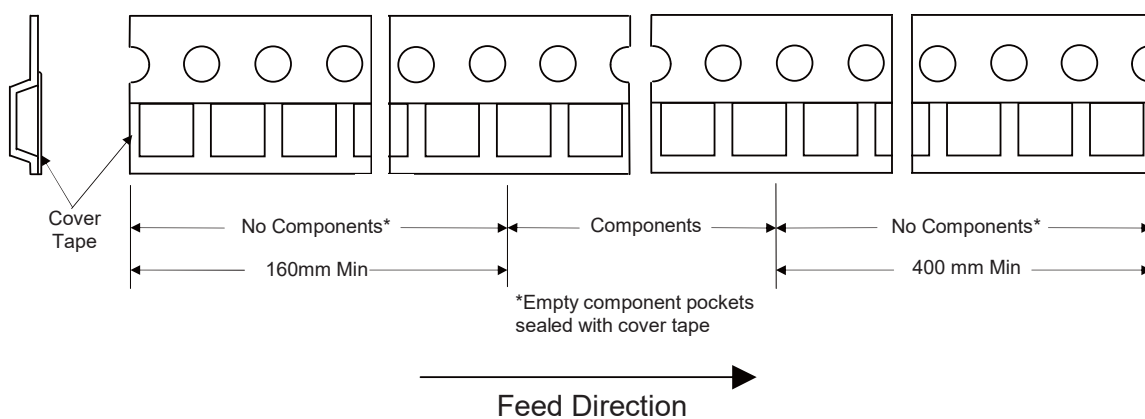


Camber (Top View)

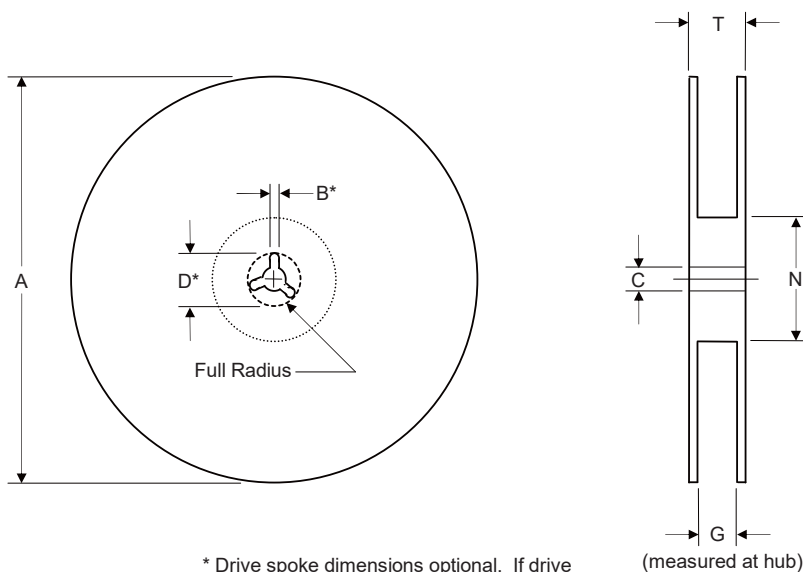
Allowable camber to be 1mm/100mm non-accumulative over 250mm



## Start and Finish Specification



## Surface Mount Reel Specifications

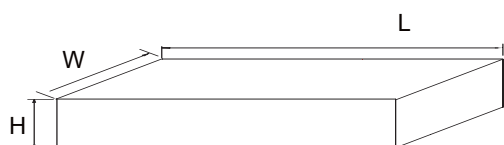


\* Drive spoke dimensions optional. If drive spoke is used then asterisked dimensions apply.

Tape Width	A	B	C	D	N	G	T
24mm	360	1.5	13.0	20.2	55	24.4	30.4
(Tolerance)	Max	Min	±0.2	Min	Min	+2.0	Max

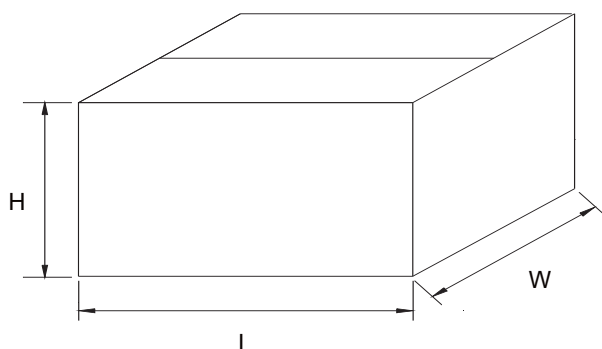
## Reel Dimensions

### Inbox Size



Description	Dimension	Specification(mm typical)
Length	L	345
Width	W	345
Height	H	70

### Carton Size



Description	Dimension	Specification(mm typical)
Length	L	360
Width	W	360
Height	H	380

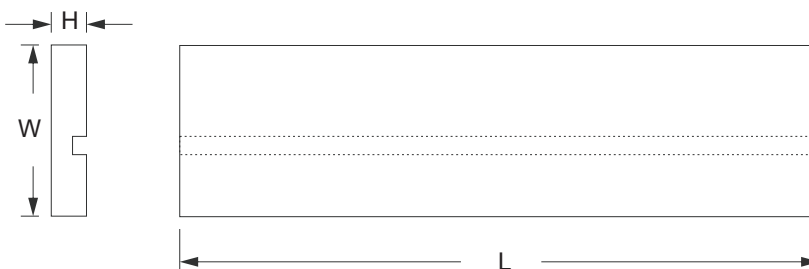
## Packing Quantity

Package	Package Type	Tube Quantity	Box Quantity	Carton Quantity
TO263/D2PAK	Tube	50	1000	5000

Note 1: These are minimum package quantities only. Minimum orders will differ. Contact the factory for more information on minimum order quantities.

## Dimensions

### Tube Size



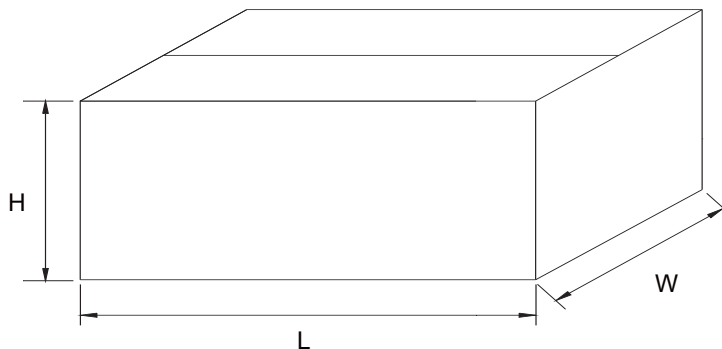
Description	Dimension	Specification(mm typical)
Length	L	530
Width	W	33
Height	H	7

### Inbox Size



Description	Dimension	Specification(mm typical)
Length	L	560
Width	W	150
Height	H	40

### Carton Size



Description	Dimension	Specification(mm typical)
Length	L	570
Width	W	210
Height	H	175