

**Packing Quantity and Device Tape Orientation**

Package	Tape Width mm	Reel Size inch	Pitch mm	Packing Quantity			ESD/MBB Bag	Pin1 Position	Tape Orientation Feed Direction →	OPN Suffix
				Reel	Inner Box	Carton				
				kpcs	kpcs	kpcs				
SOT-363S	8	7	4	3	30	120	NA	Q3		-TP
									NA	Q2

Note 1: All MOSFETs and other MSL3 products come with an ESD/MBB bag.

Note 2: These are minimum package quantities only. Minimum order quantities may vary. Please contact your sales representative for more information on minimum order quantities.

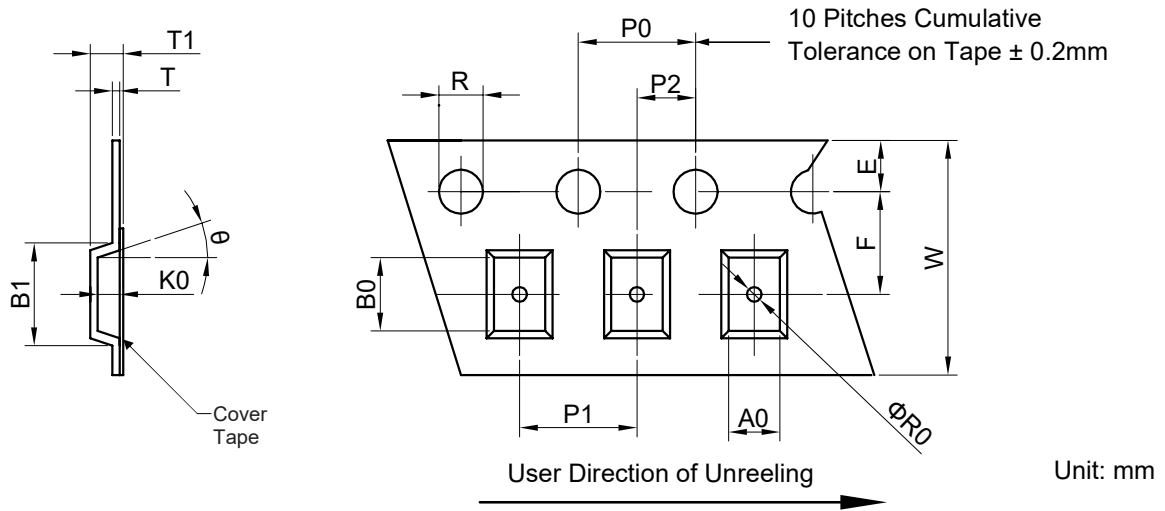
Note 3: MCC Tape&reel products meets EIA-481 specification.

Note 4: Please refer to the product datasheet for MSL level, RoHS and Halogen-Free compliance.

Note 5: Orientation guide for commonly used devices.

Pin1 Position	Q1	Q2	Q3	Q4	Q1Q2	Q3Q4
Orientation in Carrier						
Termination 1 Orientation by Quadrant						

**Embossed Carrier Tape Specifications**

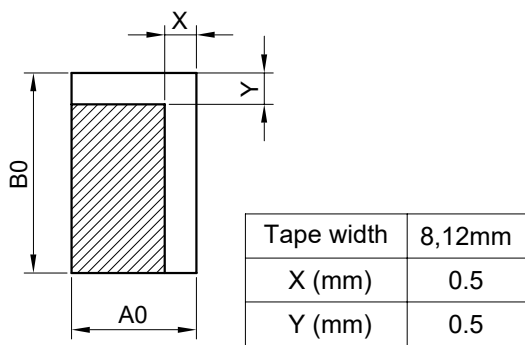


Tape Width	A0	B0	K0	B1	E	F	P0
8mm	See Note 6			See Note 7	1.75	3.5	4.0
(Tolerance)					$\pm 0.1$	$\pm 0.05$	$\pm 0.1$

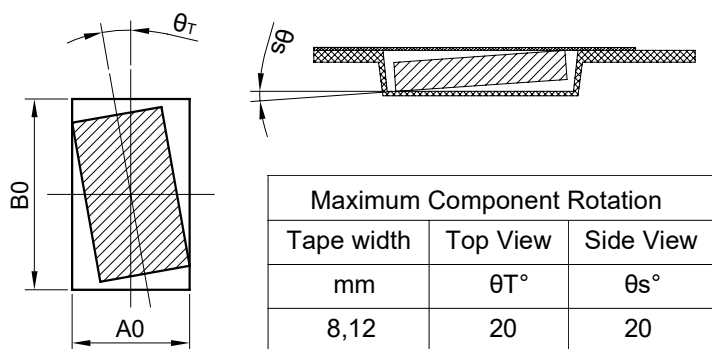
Tape Width	P1	P2	R	R0	T	T1	W
8mm	4.0	2.0	1.5	1.0	0.6	2.4	8.0
(Tolerance)	$\pm 0.1$	$\pm 0.05$	+0.1/-0	$\pm 0.1$	Max	Max	$\pm 0.3$

Note 6: A0, B0, and K0 are determined by component size. The clearance between the components and the cavity must be within 0.05 mm min to 0.50mm max.

Note 7: For machine reference only including draft and radii concentric around B0.



Maximum Lateral movement

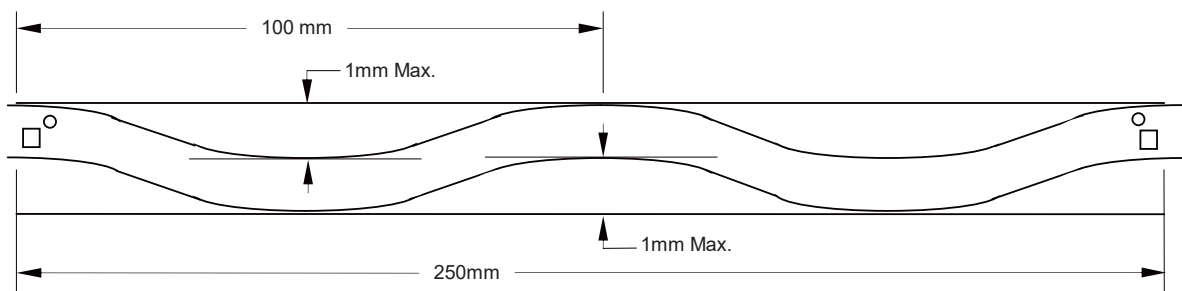


Maximum Component Rotation

## Embossed Carrier Tape Specifications



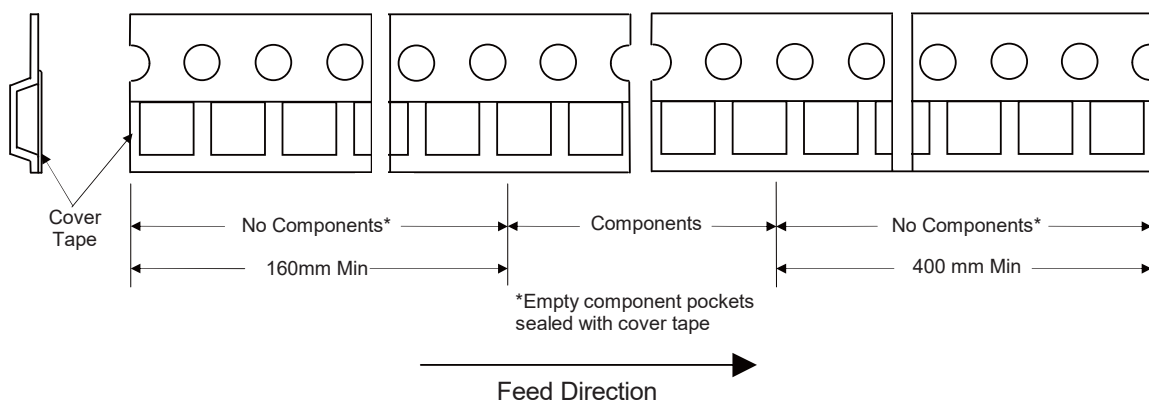
Tape Size	R Min.
8mm	25mm



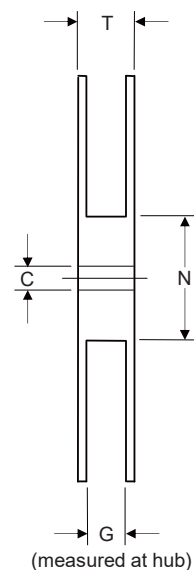
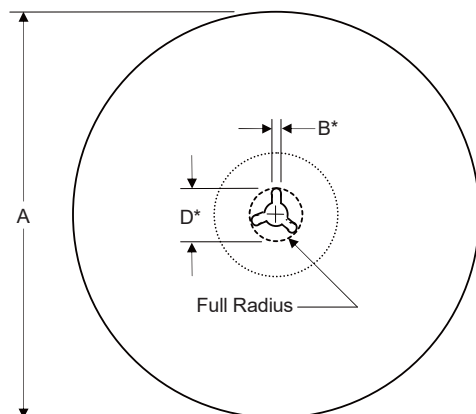
Camber (Top View)

Allowable camber to be 1mm/100mm non-accumulative over 250mm

## Start and Finish Specification



## Surface Mount Reel Specifications

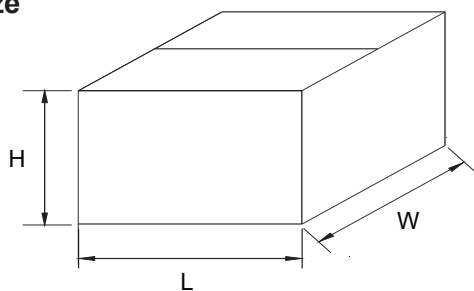


\* Drive spoke dimensions optional. If drive spoke is used then asterisked dimensions apply.

Tape Width	A	B	C	D	N	G	T
8mm	180	1.5	13.0	20.2	55	8.4	14.4
(Tolerance)	Max	Min	±0.2	Min	±5.0	+1.5	Max

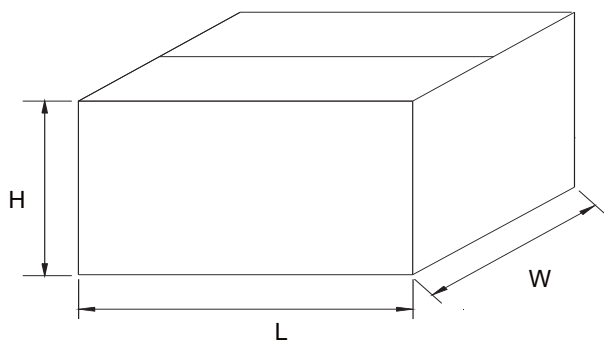
## Dimensions

### Inbox Size



Dimension	Specification(mm typical)	
	General	MBB Bag
L	187	227
W	130	145
H	187	202

### Carton Size



Dimension	Specification(mm typical)	
	General	MBB Bag
L	390	470
W	275	305
H	207	223