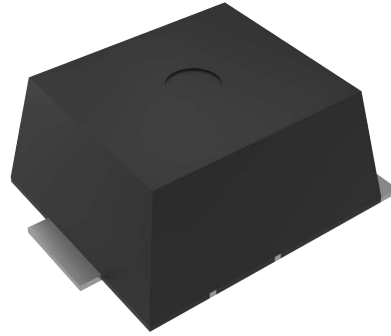


Mechanical Data

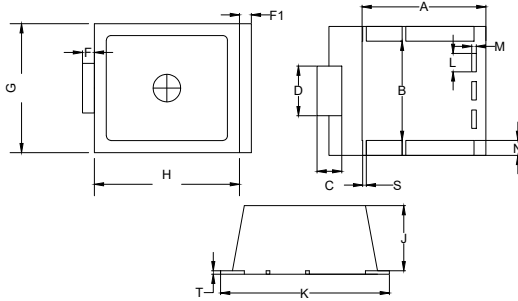
- Surface Mount Package
- Weight: 5.0000 grams (Approximate)
- Moisture Sensitivity Level 1
- Halogen Free. "Green" Device (Note 1)
- Epoxy Meets UL 94 V-0 Flammability Rating
- Lead Free Finish/RoHS Compliant (Note2) ("P" Suffix Designates RoHS Compliant. See Ordering Information)

Note:1. free "Green" products are defined as those which contain <900ppm bromine, <900ppm chlorine (<1500ppm total Br + Cl) and <1000ppm antimony compounds.
2. High Temperature Solder Exemption Applied, see EU Directive Annex 7a.

Package 3D Photo



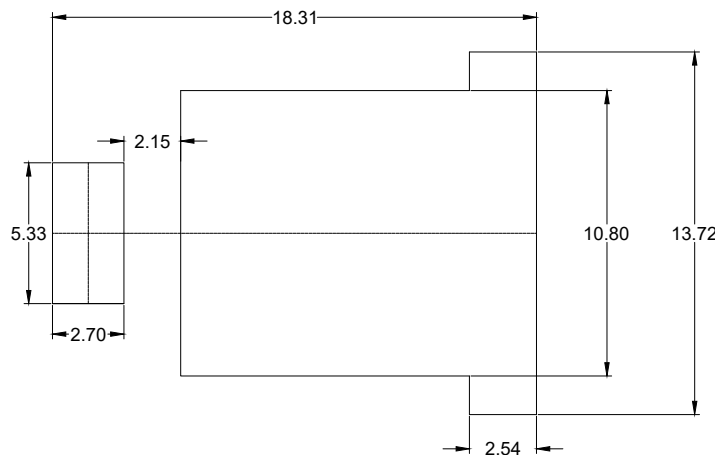
Package Outline Dimensions



DIM	DIMENSIONS				NOTE
	INCHES		MM		
	MIN	MAX	MIN	MAX	
A	0.518	0.542	13.16	13.76	
B	0.415	0.435	10.55	11.05	
C	0.098	0.114	2.50	2.90	
D	0.203	0.222	5.15	5.65	
F	0.047	0.055	1.20	1.40	
F1	0.047	0.055	1.20	1.40	
G	0.530	0.575	13.45	14.60	
H	0.610	0.632	15.50	16.05	
J	0.273	0.285	6.94	7.24	
K	0.713	0.728	18.10	18.50	
L	0.075	0.083	1.90	2.10	
M	0.016	0.024	0.40	0.60	
N	0.055	0.063	1.40	1.60	
T	0.013	0.017	0.33	0.43	
S	0.014	0.018	0.35	0.45	

Suggested Solder Pad Layout

Unit:mm



Notes:

- 1.The suggested land pattern dimensions have been provided for reference only.
- 2.For further information,please reference document IPC-7351A.

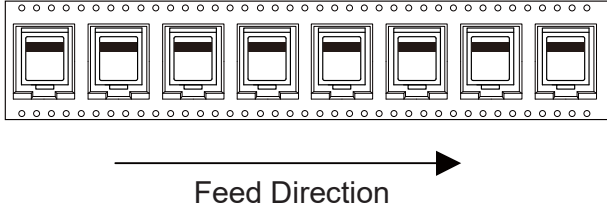
Packing Quantity

Package	Tape Width (mm)	Reel Size (inch)	Reel Quantity	BOX Quantity	Carton Quantity
SME	32	13	400	400	3200

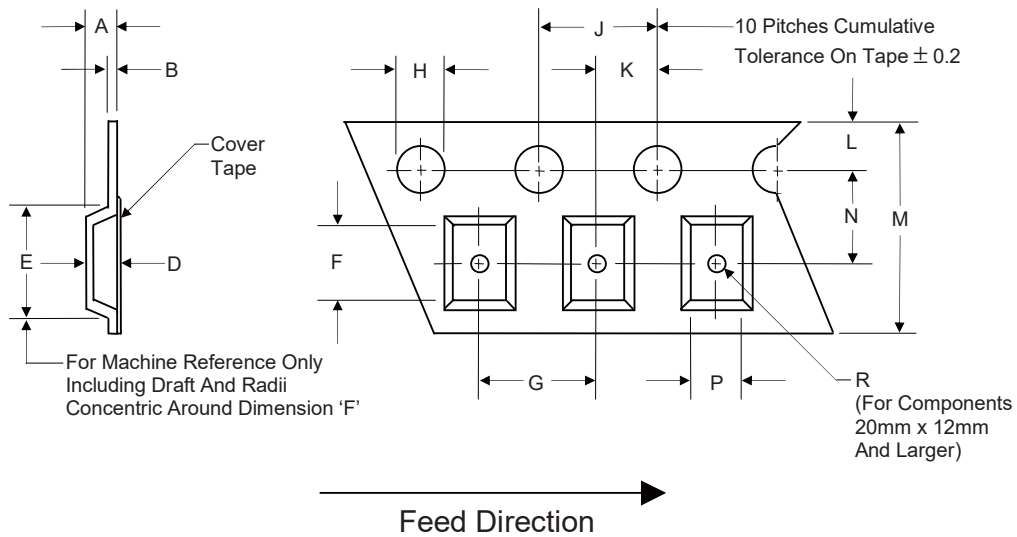
Note 1: These are minimum package quantities only. Minimum orders will differ. Contact the factory for more information on minimum order quantities.

Note 2: MCC Tape&reel products meets EIA-481 REV D specification.

Device Tape Orientation

Package	Tape Width (mm)	Tape Orientation
SME	32	

Embossed Carrier Tape Specifications



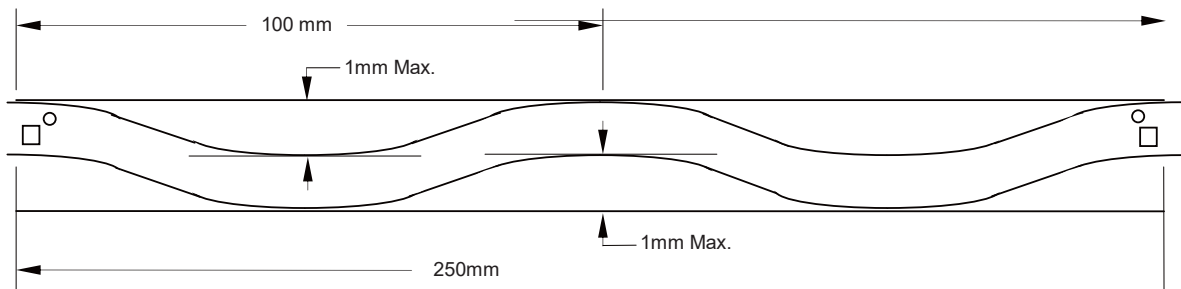
Tape Width	H	L	J	B	D	F	P
32mm	1.5	1.75	4.0	0.6	7.6	18.8	15.1
(Tolerance)	+0.1/-0	±0.1	±0.1	Max	±0.1	±0.1	±0.1

Tape Width	E	R	N	A	K	M	G
32mm	20.1	1.5	11.5	11.9	2.0	32.0	20.0
(Tolerance)	Max	Min	±0.10	Max	±0.10	±0.3	±0.1

Embossed Carrier Tape Specifications

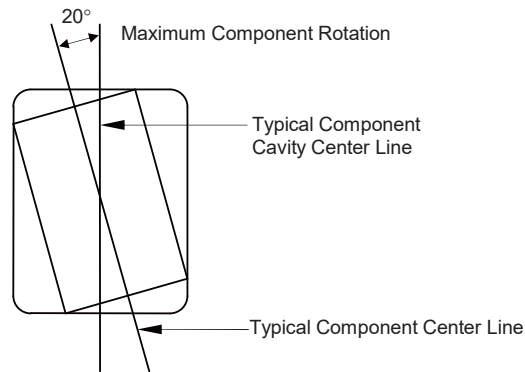


Tape Size	R Min.
24mm	30mm

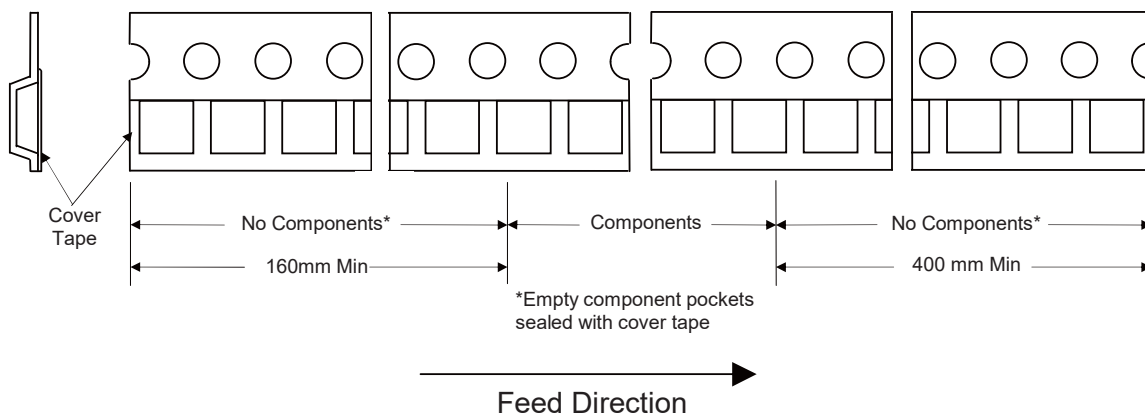


Camber (Top View)

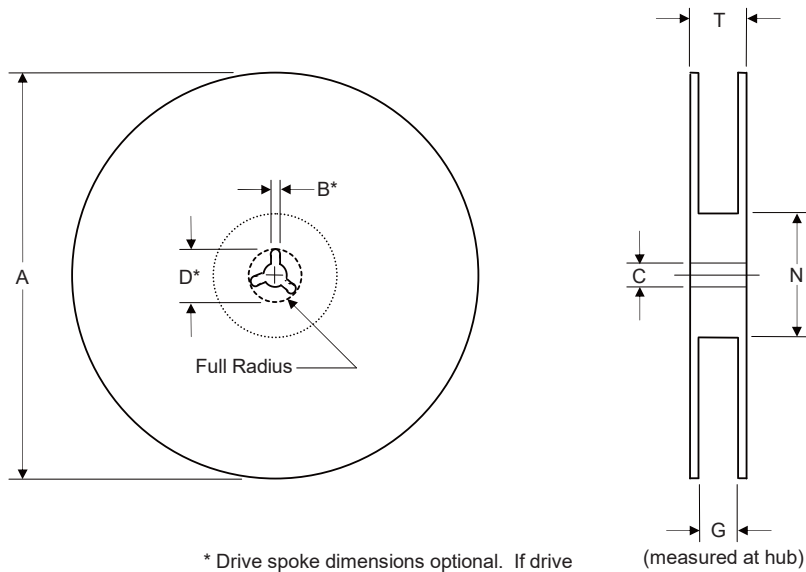
Allowable camber to be 1mm/100mm non-accumulative over 250mm



Start and Finish Specification



Surface Mount Reel Specifications

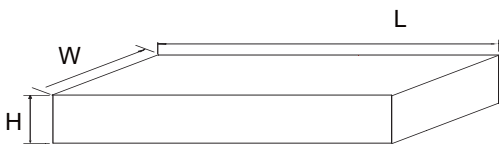


* Drive spoke dimensions optional. If drive spoke is used then asterisked dimensions apply.

Tape Width	A	B	C	D	N	G	T
32mm	360	1.5	13.5	20.2	55	36.4	40
(Tolerance)	Max	Min	±0.3	Min	Min	+2.0	±1

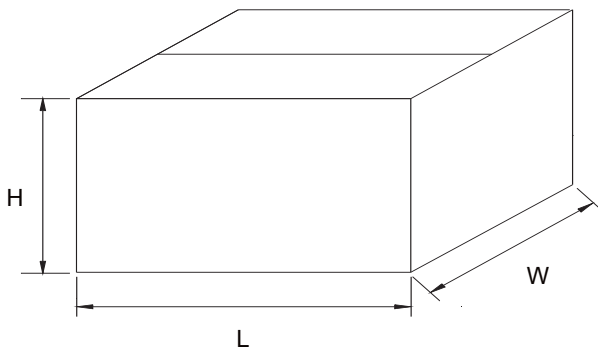
Reel Dimensions

Inbox Size



Description	Dimension	Specification(mm typical)
Length	L	345
Width	W	345
Height	H	45

Carton Size



Description	Dimension	Specification(mm typical)
Length	L	360
Width	W	360
Height	H	360