

Packing Quantity

Package	Package Type	Packing Quantity		OPN Suffix
		Minimum Packing	Carton	
		PCS	PCS	
R-6	13" Tape and Reel	500	2000	-TP
	Bulk	200	4800	-BP
	52mm Ammo Pack	450	4500	-AP

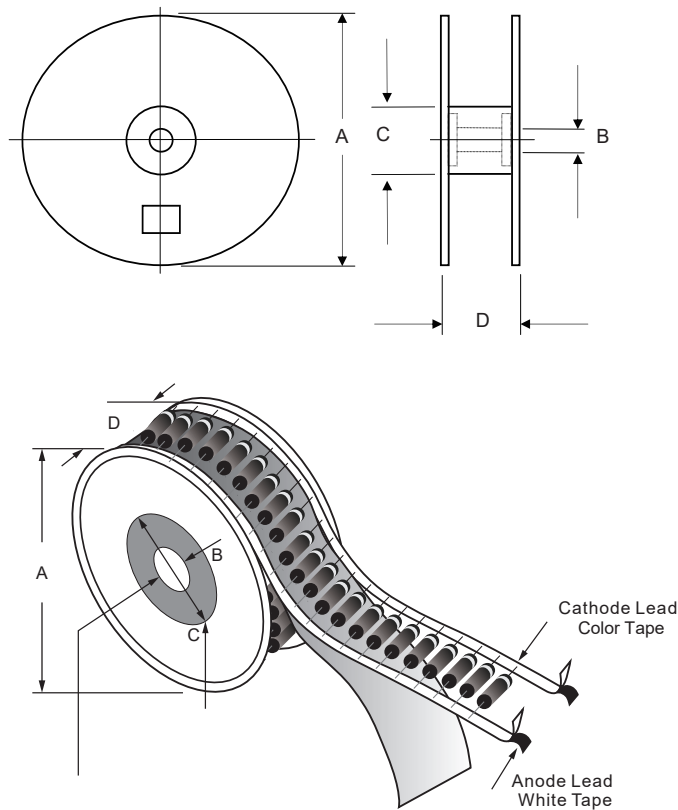
Note 1: These are minimum package quantities only. Minimum order quantities may vary. Please contact your sales representative for more information on minimum order quantities.

Note 2: MCC Tape&reel products meets EIA-481 specification.

Note 3: Please refer to the product datasheet for MSL level, RoHS and Halogen-Free compliance.

Note 4: Orientation guide for commonly used devices.

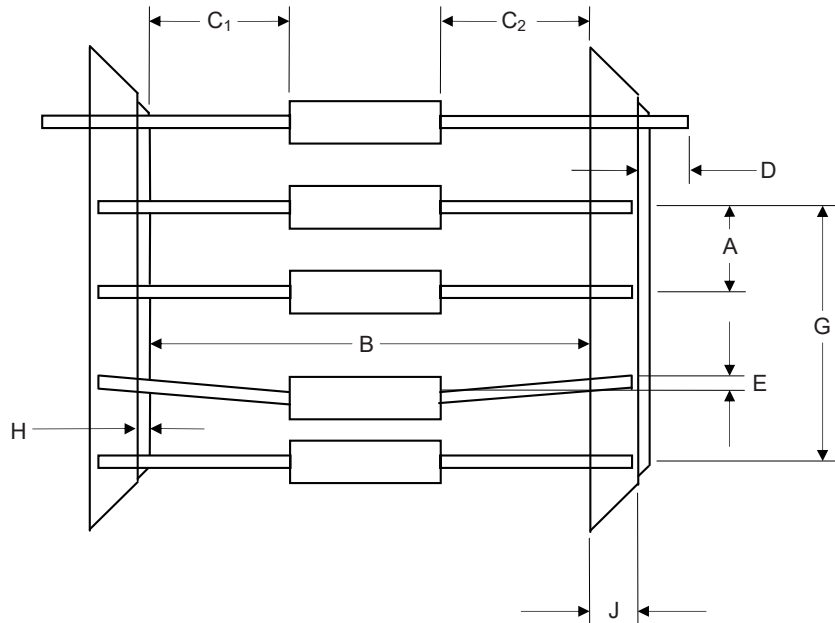
Reel Dimensions



Description	Dimension	Specification(mm)
Reel Diameter	A	330
Core Diameter (Outside Dimension)	B	16.6±0.4
Arbor Hole Diameter	C	85.7±0.3
Reel Width	D	79.0±1.0

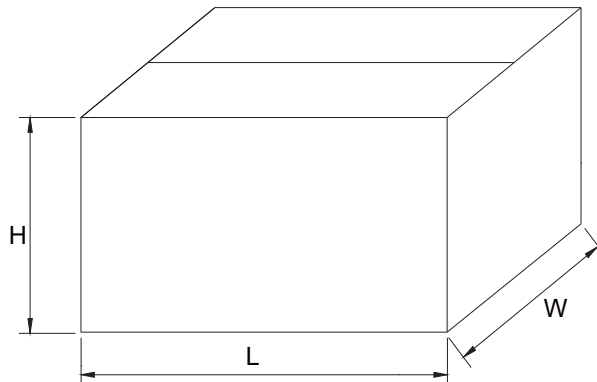
Reel Taping Specifications

Dimensions apply to both sides of the reel



Description	Dimension	Specification(mm)
Component Pitch	A	10.0±0.5
Inside Tape Spacing	B	52.4±1.5
Lead To Lead Eccentricity	[C ₁ - C ₂]	1.0 Max.
Lead Extension	D	0.5 Max.
Lead Bending	E	1.2 Max.
Cumulative Pitch	G	1.5 per 10 pitch
Exposed Adhesive	H	0.8 Max.
Tape Width	J	6.0±0.4
Tape Leader	Beginning and end of reel or ammo pack	300.0 Min.
Empty Spaces	Consecutive missing components not allowed	<0.1%
Polarity Marking	All polarized components shall be oriented in the same direction. The cathode tape shall be colored and the anode tape shall be white or light beige.	

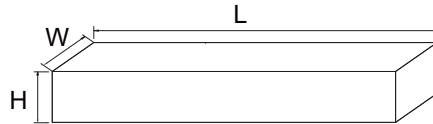
Carton Size



Description	Dimension	Specification(mm typical)
Length	L	360
Width	W	350
Height	H	345

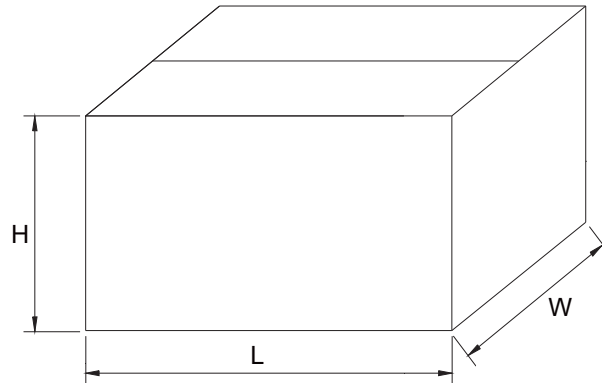
Bulk Packing Specification

Inbox Size



Description	Dimension	Specification(mm typical)
Length	L	305
Width	W	75
Height	H	40

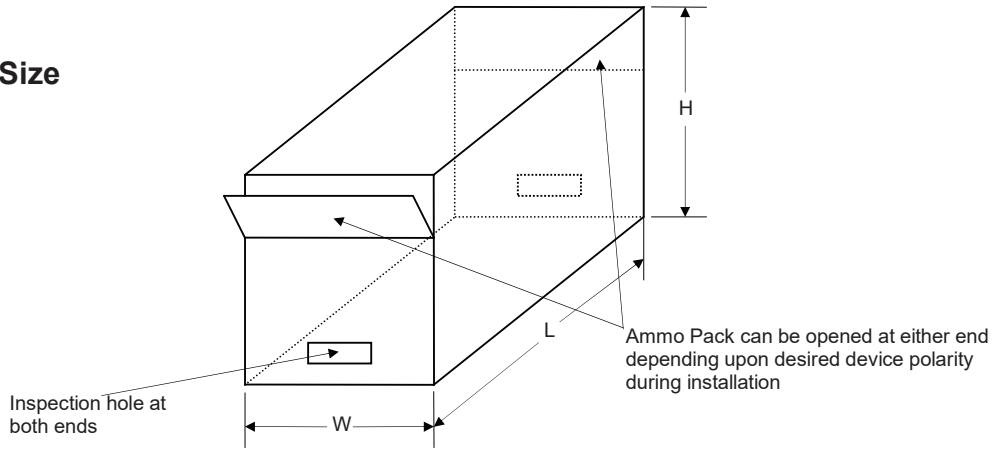
Carton Size



Description	Dimension	Specification(mm typical)
Length	L	310
Width	W	305
Height	H	260

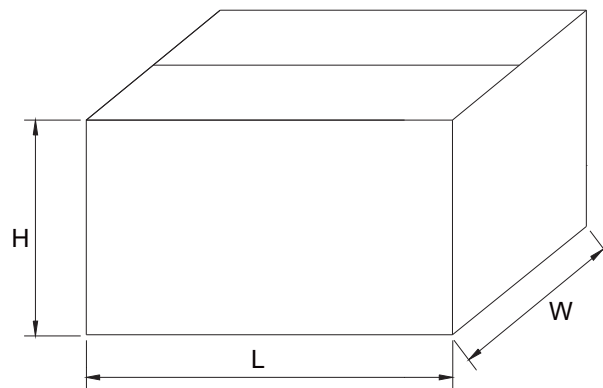
Ammo Pack Dimensions

Ammo Size



Description	Dimension	Specification(mm typical)
Length	L	260
Width	W	75
Height	H	150

Carton Size



Description	Dimension	Specification(mm typical)
Length	L	410
Width	W	265
Height	H	315