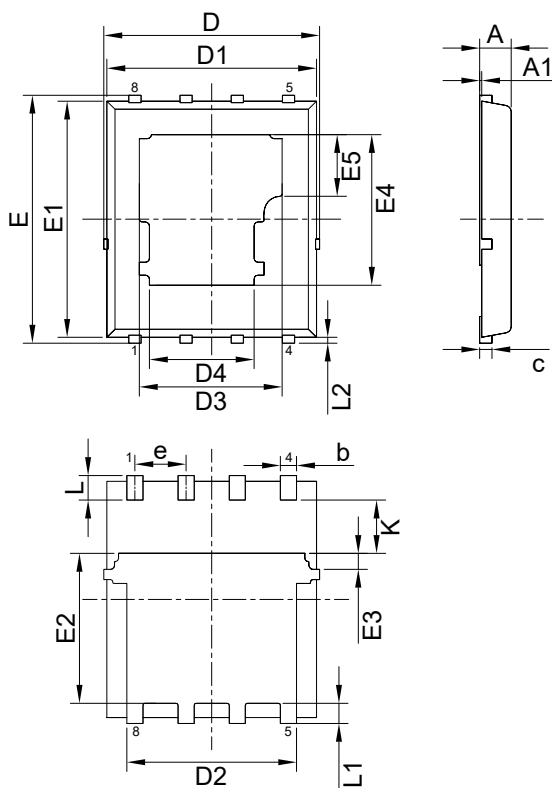
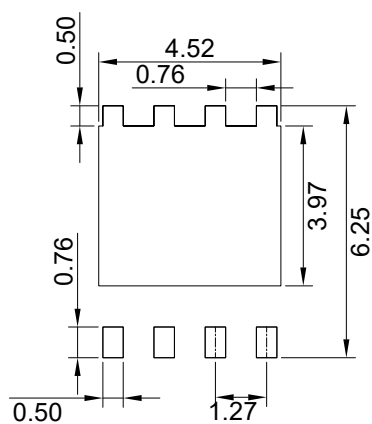


Package Outline



| DIM | INCH | | MM | | NOTE |
|-----|-------|-------|------|------|------|
| | MIN | MAX | MIN | MAX | |
| A | 0.024 | 0.033 | 0.60 | 0.85 | |
| A1 | | 0.004 | | 0.10 | |
| b | 0.012 | 0.020 | 0.30 | 0.50 | ×8 |
| c | 0.008 | 0.012 | 0.20 | 0.30 | |
| D | 0.203 | 0.219 | 5.15 | 5.55 | |
| D1 | 0.197 | 0.213 | 5.00 | 5.40 | |
| D2 | 0.158 | 0.174 | 4.01 | 4.41 | |
| D3 | 0.139 | | 3.54 | | TYP |
| D4 | 0.102 | | 2.60 | | TYP |
| E | 0.234 | 0.250 | 5.95 | 6.35 | |
| E1 | 0.223 | 0.239 | 5.66 | 6.06 | |
| E2 | 0.139 | 0.154 | 3.52 | 3.92 | |
| E3 | 0.016 | | 0.40 | | TYP |
| E4 | 0.147 | | 3.74 | | TYP |
| E5 | 0.060 | | 1.53 | | TYP |
| e | 0.050 | | 1.27 | | TYP |
| L | 0.020 | 0.028 | 0.50 | 0.71 | |
| L1 | 0.020 | | 0.51 | | TYP |
| L2 | 0.006 | | 0.15 | | TYP |
| K | 0.052 | | 1.32 | | TYP |

Suggested Pad Layout (Unit:mm)



Notes:

1. The suggested land pattern dimensions have been provided for reference only.
2. For further information, please refer to document IPC-7351A.