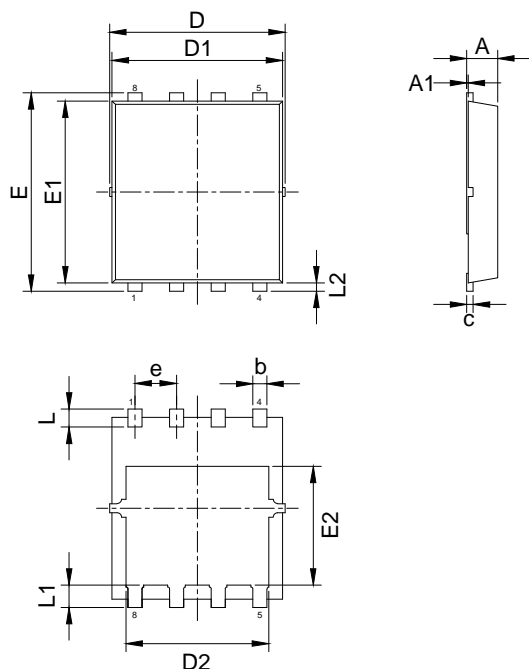
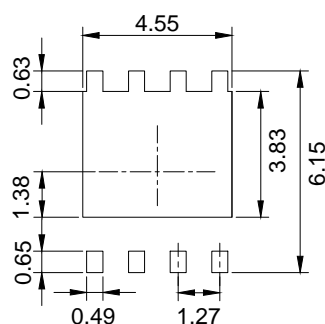


Package Outline



| DIM | INCH | | MM | | NOTE |
|-----|-------|-------|------|------|------|
| | MIN | MAX | MIN | MAX | |
| A | 0.033 | 0.046 | 0.85 | 1.15 | |
| A1 | 0.000 | 0.004 | 0.00 | 0.10 | |
| b | 0.011 | 0.020 | 0.30 | 0.50 | x8 |
| c | 0.008 | | 0.20 | | TYP |
| D | 0.200 | 0.221 | 5.10 | 5.60 | |
| D1 | 0.200 | 0.209 | 5.10 | 5.30 | |
| D2 | 0.167 | 0.176 | 4.25 | 4.45 | |
| E | 0.234 | 0.243 | 5.95 | 6.15 | |
| E1 | 0.214 | 0.223 | 5.45 | 5.65 | |
| E2 | 0.138 | 0.147 | 3.52 | 3.73 | |
| e | 0.050 | | 1.27 | | TYP |
| L | 0.017 | 0.026 | 0.45 | 0.65 | |
| L1 | 0.027 | | 0.68 | | TYP |
| L2 | 0.010 | | 0.25 | | TYP |

Suggested Pad Layout (Unit:mm)



Notes:

1. The suggested land pattern dimensions have been provided for reference only.
2. For further information, please refer to document IPC-7351A.