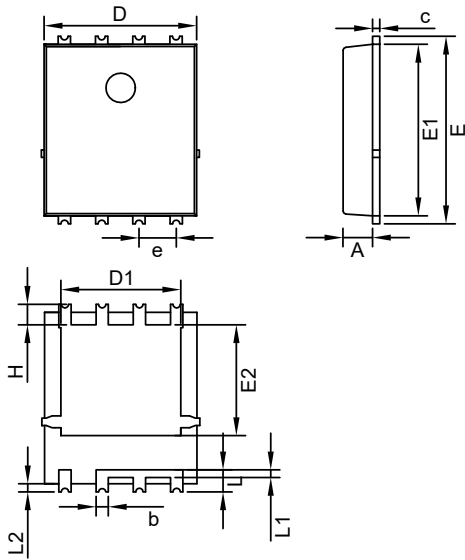
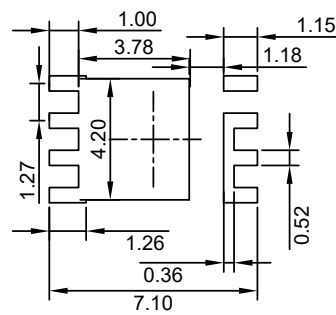


Package Outline



DIM	INCH		MM		NOTE
	MIN	MAX	MIN	MAX	
A	0.035	0.044	0.90	1.10	
b	0.012	0.021	0.32	0.52	
c	0.008	0.014	0.21	0.34	
D	0.198	0.213	5.05	5.40	
D1	0.157	0.166	4.00	4.20	
E	0.248	0.256	6.30	6.50	
E1	0.226	0.235	5.75	5.95	
E2	0.140	0.149	3.58	3.78	
e	0.050		1.27		TYP
H	0.023	0.032	0.60	0.80	
L	0.025	0.034	0.65	0.85	
L1	0.006	0.015	0.16	0.36	
L2	0.007	0.014	0.20	0.35	

Suggested Pad Layout (Unit:mm)



Notes:

1. The suggested land pattern dimensions have been provided for reference only.
2. For further information, please refer to document IPC-7351A.