

## Packing Quantity

Package	Package Type	Packing Quantity		OPN Suffix
		Minimum Packing	Carton	
		KPCS	KPCS	
DO-41	13" Tape and Reel	5	20	-TP
	Bulk	1	50	-BP
	52mm Ammo Pack	5	50	-AP

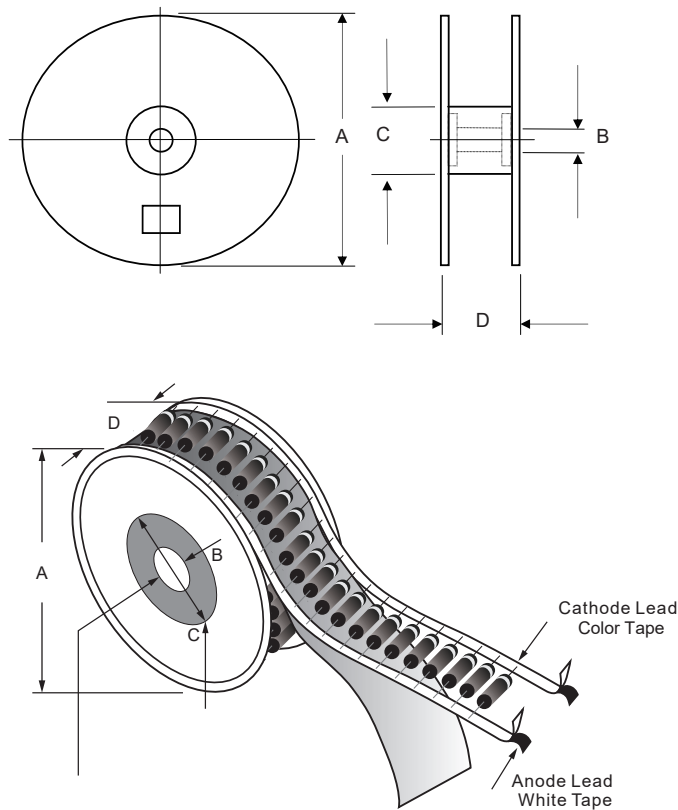
Note 1: These are minimum package quantities only. Minimum order quantities may vary. Please contact your sales representative for more information on minimum order quantities.

Note 2: MCC Tape&reel products meets EIA-481 specification.

Note 3: Please refer to the product datasheet for MSL level, RoHS and Halogen-Free compliance.

Note 4: Orientation guide for commonly used devices.

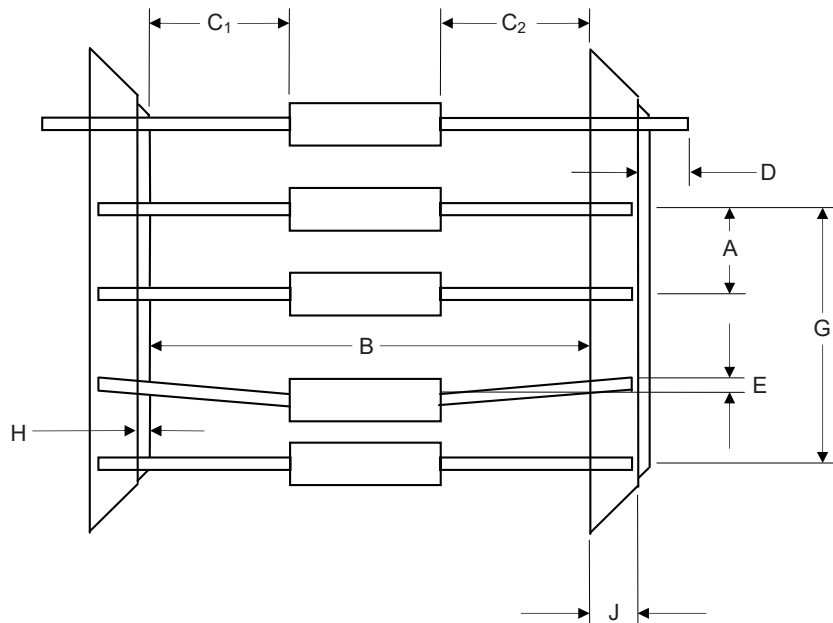
## Reel Dimensions



Description	Dimension	Specification(mm)
Reel Diameter	A	330
Core Diameter (Outside Dimension)	B	16.6±0.4
Arbor Hole Diameter	C	85.7±0.3
Reel Width	D	79.0±1.0

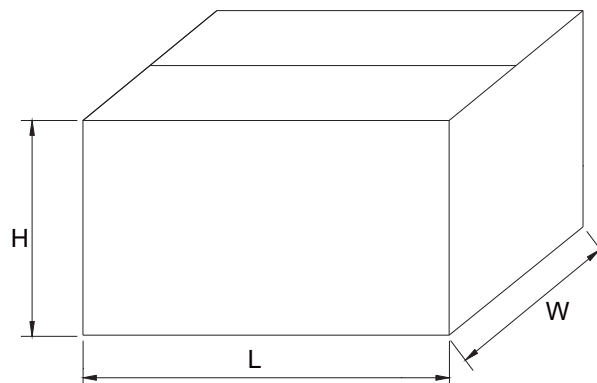
## Reel Taping Specifications

Dimensions apply to both sides of the reel



Description	Dimension	Specification(mm)
Component Pitch	A	5.0±0.5
Inside Tape Spacing	B	52.4±1.5
Lead To Lead Eccentricity	[C <sub>1</sub> - C <sub>2</sub> ]	1.0 Max.
Lead Extension	D	0.5 Max.
Lead Bending	E	1.2 Max.
Cumulative Pitch	G	1.5 per 10 pitch
Exposed Adhesive	H	0.8 Max.
Tape Width	J	6.0±0.4
Tape Leader	Beginning and end of reel or ammo pack	300.0 Min.
Empty Spaces	Consecutive missing components not allowed	<0.1%
Polarity Marking	All polarized components shall be oriented in the same direction. The cathode tape shall be colored and the anode tape shall be white or light beige.	

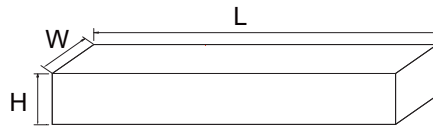
## Carton Size



Description	Dimension	Specification(mm typical)
Length	L	360
Width	W	350
Height	H	345

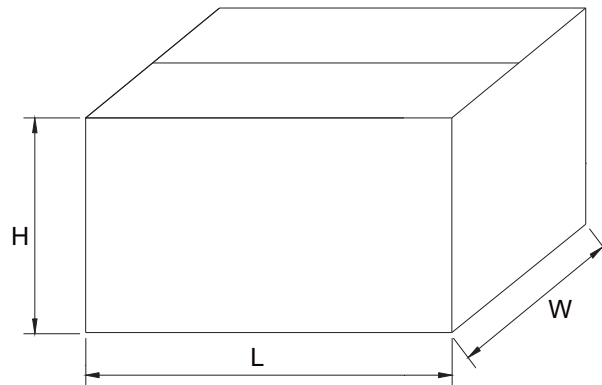
**Bulk Packing Specification**

**Inbox Size**



Description	Dimension	Specification(mm typical)
Length	L	200
Width	W	85
Height	H	20

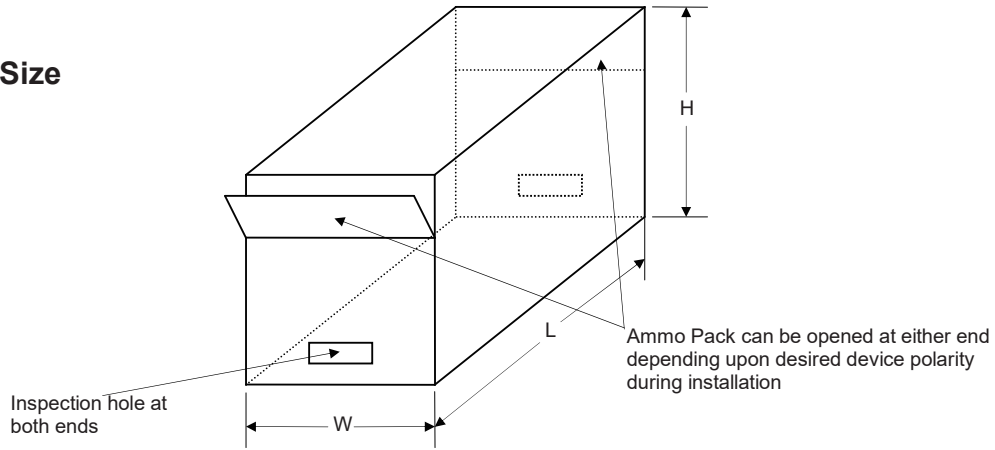
**Carton Size**



Description	Dimension	Specification(mm typical)
Length	L	440
Width	W	210
Height	H	245

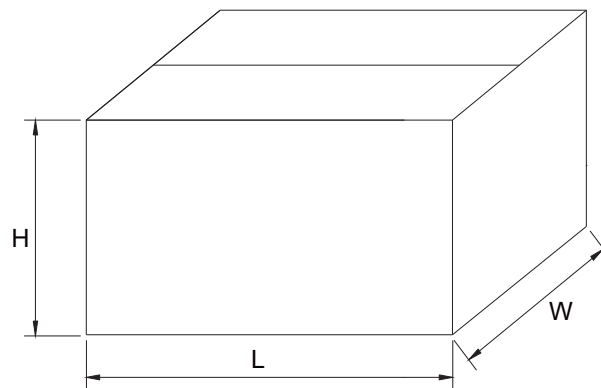
## Ammo Pack Dimensions

### Ammo Size



Description	Dimension	Specification(mm typical)
Length	L	260
Width	W	75
Height	H	140

### Carton Size



Description	Dimension	Specification(mm typical)
Length	L	410
Width	W	265
Height	H	315