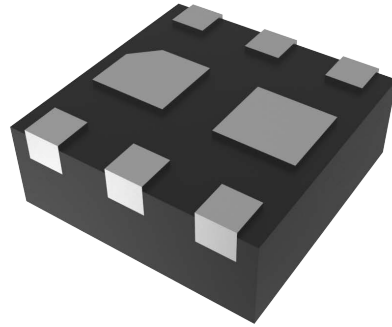


## Mechanical Data

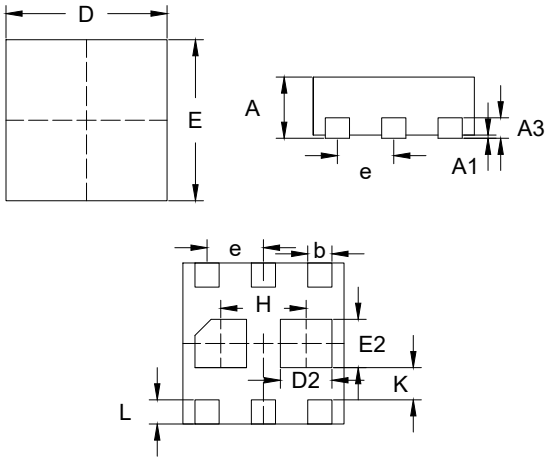
- Surface Mount Package
- Moisture Sensitivity Level Refer to Product datasheet
- Halogen Free. "Green" Device (Note 1)
- Epoxy Meets UL 94 V-0 Flammability Rating
- Lead Free Finish/RoHS Compliant ("P" Suffix Designates RoHS Compliant. See Ordering Information)

Note:1. free "Green" products are defined as those which contain <900ppm bromine, <900ppm chlorine (<1500ppm total Br + Cl) and <1000ppm antimony compounds.

## Package 3D Photo

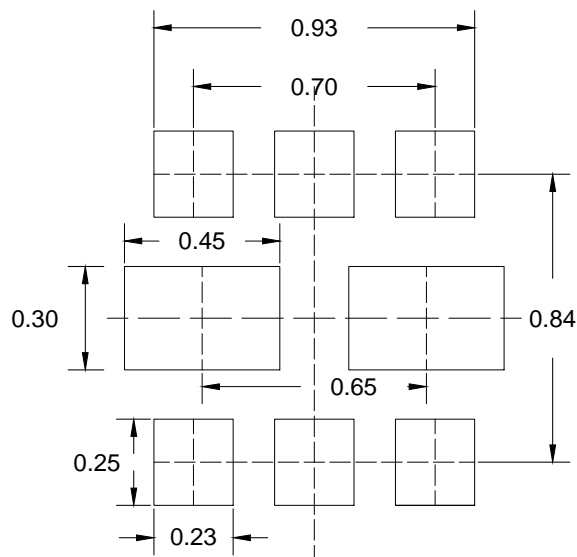


## Package Outline Dimensions



DIM	INCHES		MM		NOTE
	MIN	MAX	MIN	MAX	
A	0.012	0.016	0.31	0.40	
A1	0.000	0.002	0.00	0.05	
A3	0.005		0.127		TYP.
b	0.004	0.008	0.10	0.20	
D	0.037	0.041	0.95	1.05	
E	0.037	0.041	0.95	1.05	
e	0.014		0.350		TYP.
D2	0.011	0.015	0.27	0.37	
E2	0.010	0.014	0.25	0.35	
H	0.021		0.530		TYP.
L	0.004	0.008	0.10	0.20	
K	0.008	-	0.20	-	

## Suggested Solder Pad Layout



**Notes:**

- 1.The suggested land pattern dimensions have been provided for reference only.
- 2.For further information,please reference document IPC-7351A.

**Packing Quantity**

Package	Tape Width (mm)	Reel Size (inch)	Reel Quantity	BOX Quantity	Carton Quantity
DFN1010B-6	8	7	5000	50K	200K

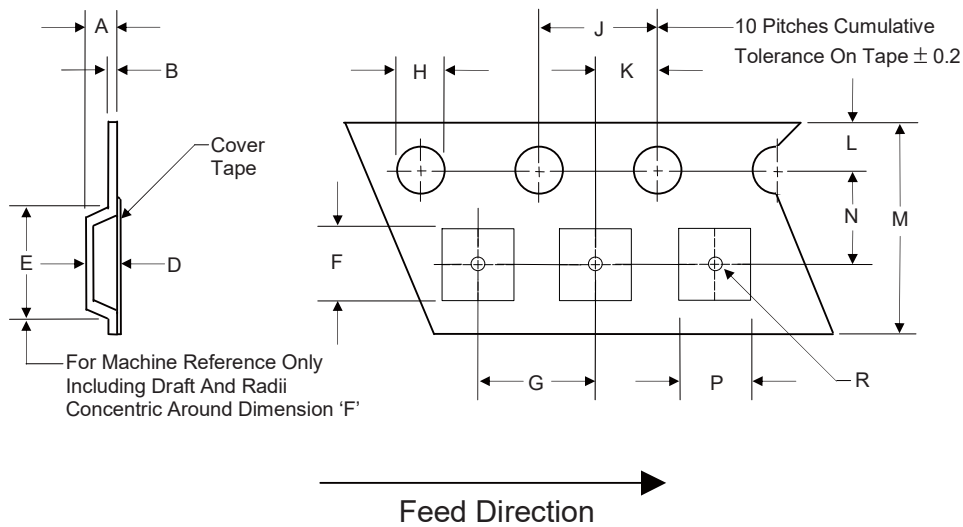
Note 1: These are minimum package quantities only. Minimum orders will differ. Contact the factory for more information on minimum order quantities.

Note 2: MCC Tape&reel products meets EIA-481 REV D specification.

**Device Tape Orientation**

Package	Tape Width (mm)	Tape Orientation
DFN1010B-6	8	

**Embossed Carrier Tape Specifications**



Tape Width	H	L	J	B	D	F	P
8mm	1.5	1.75	4.0	0.25	See Note 3		
(Tolerance)	+0.1/-0	±0.1	±0.1	±0.02			

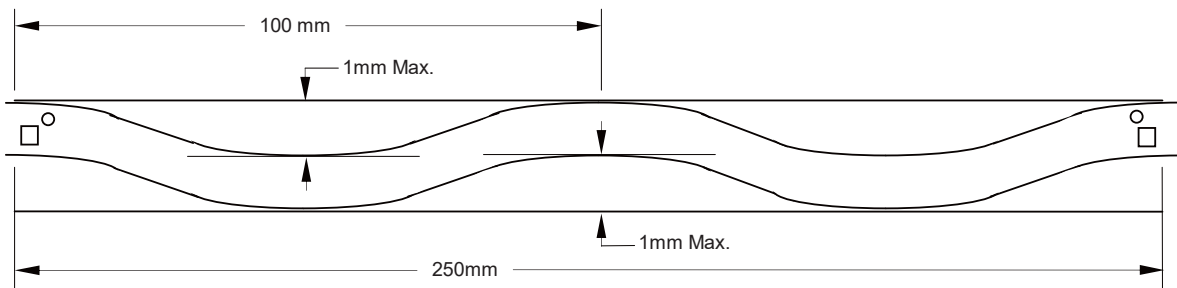
Tape Width	E	R	N	A	K	M	G
8mm	4.2	0.5	3.5	1.13	2.0	8.0	4.0
(Tolerance)	Max	±0.05	±0.05	±0.05	±0.05	+0.3/-0.1	±0.1

Note 3: D,E,F are determined by constant size. The clearance between the part and the tape cavity must be within 0.05mm min. to 0.50mm max. for 8mm tape.

## Embossed Carrier Tape Specifications

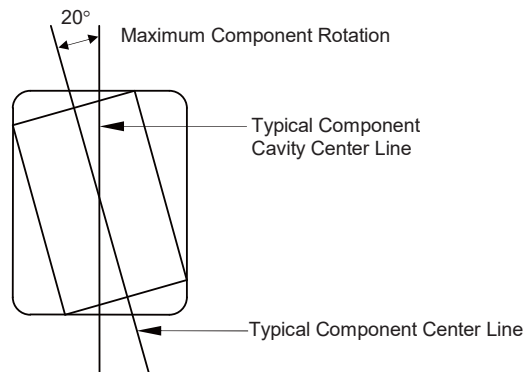


Tape Size	R Min.
8mm	25mm

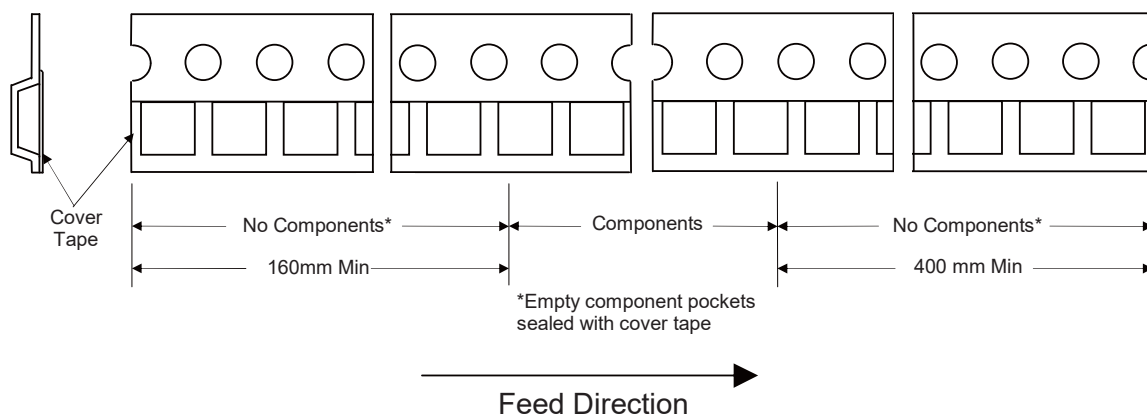


Camber (Top View)

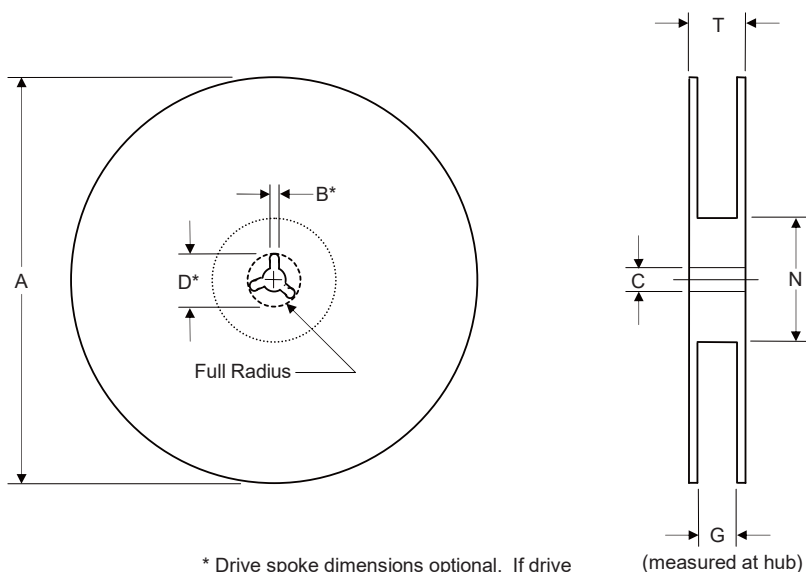
Allowable camber to be 1mm/100mm non-accumulative over 250mm



## Start and Finish Specification



## Surface Mount Reel Specifications

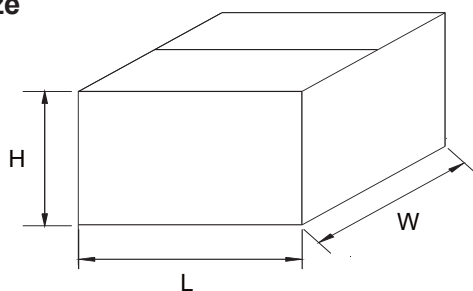


\* Drive spoke dimensions optional. If drive spoke is used then asterisked dimensions apply.

Tape Width	A	B	C	D	N	G	T
8mm	178	1.5	13.0	20.2	55	9.5	12.5
(Tolerance)	±2.0	Min	±0.2	Min	±1.0	±1.0	±1.0

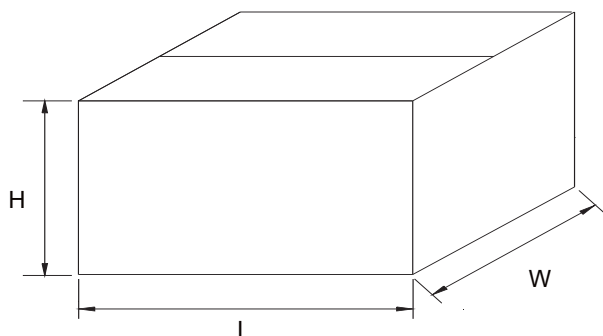
## Dimensions

### Inbox Size



Dimension	Specification(mm typical)	
	General	MBB Bag
L	187	227
W	130	145
H	187	202

### Carton Size



Dimension	Specification(mm typical)	
	General	MBB Bag
L	390	470
W	275	305
H	207	223