



Date: Aug 06, 2022

PCN No#: 080622-1

PCN Title: ITO-220 Series Package Pin Dimension Change

Dear Customer:

This is an announcement of change(s) to products that are currently being offered by Micro Commercial Components Corp(MCC) .We request that you acknowledge receipt of this notification within 30 days of the date of this PCN. Please refer to the implementation date of this change as it is stated in the attached PCN form. Please contact your local sales representative to acknowledge receipt of this PCN.

If you have any questions about PCN's products, please contact your local sales representative.

Sincerely,

MCC PCN Team



PRODUCT CHANGE NOTICE

Notification Date	Implementation Date	Change Type	Classification	PCN No
Aug 06, 2022	Feb 06, 2023	Pin Dimension Change	Major	080622-1
TITLE				
ITO-220 Series Package Pin Dimension Change				
DESCRIPTION OF CHANGE				
This PCN is being issued to notify customers that In order to improve the versatility of products, better convenient for customers to use. MCC decides to adjust the "E" Dimension of ITO-220 Series Package. Full electrical characterization and reliability testing has been completed and the result showed that the parts had the same performances as the parts we shipped before.				
IMPACT				
No change in datasheet electrical parameters and product performance. Table A: Comparison of Package Dimension				
PRODUCTS AFFECTED				
See Table B for Product list				
WEB LINKS				
Terms And Conditions:	https://www.mccsemi.com/Home/TermsAndConditions			
For More Information Contact:	https://www.mccsemi.com/Contact/Index			
Products:	https://www.mccsemi.com/ProductCategories			
DISCLAIMER				
Unless a MCC Sales representative is contacted in writing within 30 days of the posting of this notice, all changes described in this announcement are considered approved.				

Table A - "E" Dimension Comparison

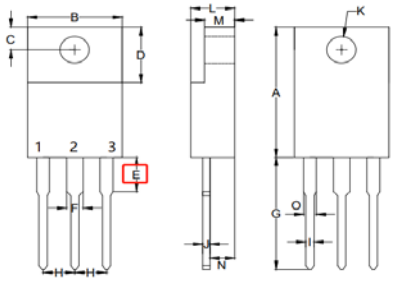
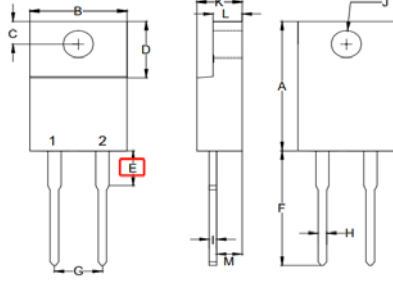
ITO-220AB		ITO-220AC	
			
Dimension Before Change	Dimension After Change	Dimension Before Change	Dimension After Change
3.75mm(Typ.)	3.25mm(Typ.)	3.75mm(Typ.)	3.25mm(Typ.)

Table B - List of affected products

MBR10100FCT-BP	MBR20300FCT-BP	MBRL20100FCT-BP	MUR2010FCT-BP	MBR1050F-BP	MURS1560FL-BP
MBR10100FCTH-BP	MBR2030FCT-BP	MBRL20150FCT-BP	MUR2015FCT-BP	MBR1060F-BP	MURS2060FS-BP
MBR10150FCT-BP	MBR2040FCT-BP	MBRL20200FCT-BP	MUR2020FCT-BP	MBR1080F-BP	MURS3060F-BP
MBR10150FCTH-BP	MBR2045FCT-BP	MBRL2045FCT-BP	MUR2040FCT-BP	MBR1545FA-BP	MURS520FA-BP
MBR10200FCT-BP	MBR2045FCTS-BP	MBRL2060FCT-BP	MUR2060FCT-BP	MBR545F-BP	MURS540FA-BP
MBR10200FCTH-BP	MBR2060FCT-BP	MBRL20U100FCT-BP	MURS1020FCTA-BP	MUR1020F-BP	MURS560FA-BP
MBR1040FCT-BP	MBR2545FCT-BP	MBRL30100FCT-BP	MURS1040FCTA-BP	MUR1040F-BP	MURS820FA-BP
MBR1045FCT-BP	MBR30100FCT-BP	MBRL30150FCT-BP	MURS1060FCTA-BP	MUR1060F-BP	MURS840FA-BP
MBR1060FCT-BP	MBR30100FCTH-BP	MBRL30200FCT-BP	MURS1620FCTA-BP	MUR15120F-BP	MURS860FA-BP
MBR1060FCTS-BP	MBR30150FCT-BP	MBRL3045FCT-BP	MURS1640FCTA-BP	MUR1660F-BP	MURS860FB-BP
MBR16100FCT-BP	MBR30150FCTH-BP	MBRL3060FCT-BP	MURS1660FCTA-BP	MUR8100F-BP	MSJPF11N65A-BP
MBR1640FCT-BP	MBR30200FCT-BP	MBRL30U100FCT-BP	MURS2020FCTA-BP	MUR820F-BP	SICF0860P-BP
MBR1660FCT-BP	MBR30200FCTH-BP	MBRL40100FCT-BP	MURS2040FCTA-BP	MUR840F-BP	SICF1060P-BP
MBR20100FCT-BP	MBR3040FCT-BP	MBRL40120FCT-BP	MURS2060FCTA-BP	MUR860F-BP	
MBR20100FCTH-BP	MBR3045FCT-BP	MUR1020FCT-BP	SF1040FCT-BP	MURS1020FA-BP	
MBR20100FCTS-BP	MBR3045FCTS-BP	MUR1040FCT-BP	MBR10100F-BP	MURS1040FA-BP	
MBR20150FCT-BP	MBR3060FCT-BP	MUR1060FCT-BP	MBR10200FH-BP	MURS1060FA-BP	
MBR20150FCTH-BP	MBR3080FCT-BP	MUR1620FCT-BP	MBR1020F-BP	MURS1060FL-BP	
MBR20200FCT-BP	MBRL10100FCT-BP	MUR1640FCT-BP	MBR1030F-BP	MURS1560FA-BP	
MBR20200FCTH-BP	MBRL1060FCT-BP	MUR1660FCT-BP	MBR1040F-BP	MURS1560FB-BP	