

Features

- Halogen free available upon request by adding suffix "-HF"
- Designed for applications requiring high voltage capability
- Low Current Leakage
- Small Outline Surface Mount Package
- Lead Free Finish/Rohs Compliant ("P" Suffix designates RoHS Compliant. See ordering information)
- Marking: B6D
- Epoxy meets UL 94 V-0 flammability rating
- Moisture Sensitivity Level 1

Maximum Ratings

- Operating Temperature: -65°C to +150°C
- Storage Temperature: -65°C to +150°C

Electrical Characteristics @ 25°C Unless Otherwise Specified

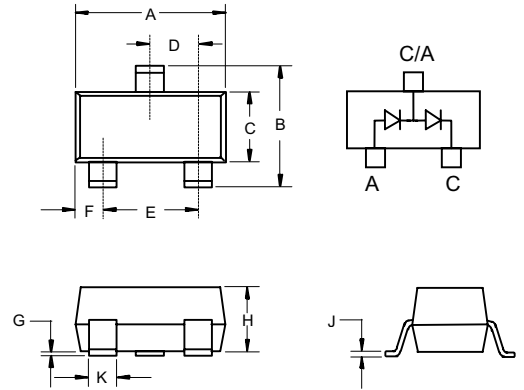
Parameter	Symbol	Limits	Unit
Non-Repetitive Peak reverse voltage	V_{RM}	300	V
DC Blocking Voltage	V_R	240	V
Continuous Forward Current	I_F	225	mA
Peak Repetitive Forward Current	I_{FRM}	625	mA
Forward Surge Current @t=1us	I_{FSM}	4.0	A
@t=1s		1.0	A
Power Dissipation	P_D	250	mW

Parameter	Symbol	Test Conditions	MIN	MAX	UNIT
Reverse breakdown voltage	V_{BR}	$I_R=100\mu A$	240	...	V
Reverse voltage leakage current	I_R	$V_R=240V$...	0.1	μA
Forward voltage	V_F	$I_F=100mA$...	1	V
Diode capacitance	C_D	$V_R=0V, f=1MHz$...	5	pF
Reverse recovery time	T_{rr}	$I_F=I_R=30mA, R_L=100\Omega$...	50	ns

MMBD2004S

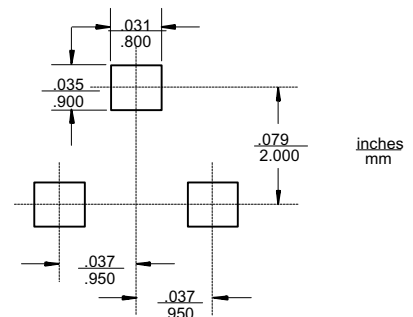
250mW 300Volt Dual Series Switching Diode

SOT-23



DIM	INCHES		MM		NOTE
	MIN	MAX	MIN	MAX	
A	.110	.120	2.80	3.04	
B	.083	.104	2.10	2.64	
C	.047	.055	1.20	1.40	
D	.035	.041	.89	1.03	
E	.070	.081	1.78	2.05	
F	.018	.024	.45	.60	
G	.0005	.0039	.013	.100	
H	.035	.044	.89	1.12	
J	.003	.007	.085	.180	
K	.015	.020	.37	.51	

Suggested Solder Pad Layout



MMBD2004S

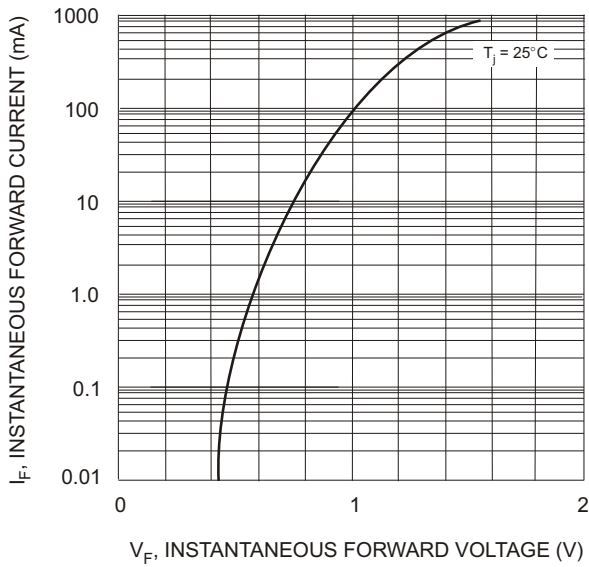


Fig. 1 Forward Characteristics

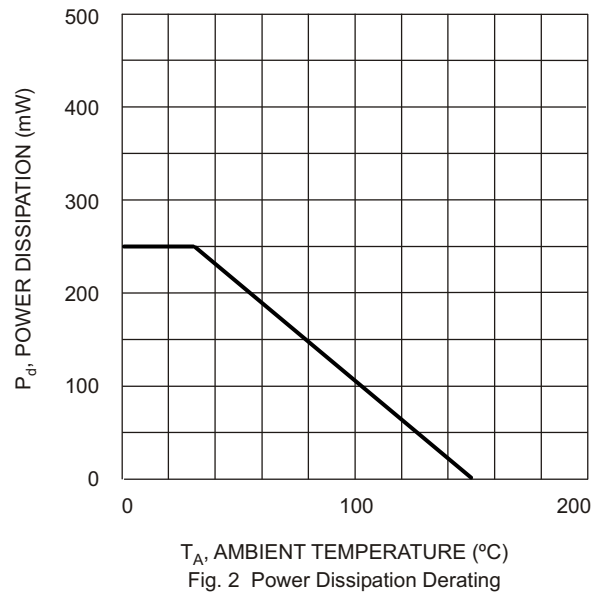


Fig. 2 Power Dissipation Derating

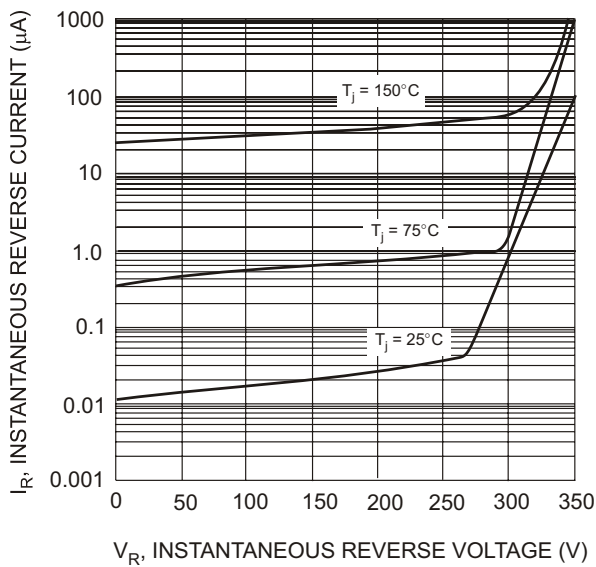


Fig. 3 Typical Reverse Characteristics, per element



TM

Micro Commercial Components

Ordering Information :

Device	Packing
Part Number-TP	Tape&Reel: 3Kpcs/Reel

Note : Adding "-HF" suffix for halogen free, eg. Part Number-TP-HF

IMPORTANT NOTICE

Micro Commercial Components Corp. reserves the right to make changes without further notice to any product herein to make corrections, modifications , enhancements , improvements , or other changes . **Micro Commercial Components Corp .** does not assume any liability arising out of the application or use of any product described herein; neither does it convey any license under its patent rights ,nor the rights of others . The user of products in such applications shall assume all risks of such use and will agree to hold **Micro Commercial Components Corp .** and all the companies whose products are represented on our website, harmless against all damages.

LIFE SUPPORT

MCC's products are not authorized for use as critical components in life support devices or systems without the express written approval of Micro Commercial Components Corporation.

CUSTOMER AWARENESS

Counterfeiting of semiconductor parts is a growing problem in the industry. Micro Commercial Components (MCC) is taking strong measures to protect ourselves and our customers from the proliferation of counterfeit parts. MCC strongly encourages customers to purchase MCC parts either directly from MCC or from Authorized MCC Distributors who are listed by country on our web page cited below. Products customers buy either from MCC directly or from Authorized MCC Distributors are genuine parts, have full traceability, meet MCC's quality standards for handling and storage. **MCC will not provide any warranty coverage or other assistance for parts bought from Unauthorized Sources.** MCC is committed to combat this global problem and encourage our customers to do their part in stopping this practice by buying direct or from authorized distributors.

www.mccsemi.com