

Features

- Surface Mount Package
- Moisture Sensitivity Level 1
- Epoxy Meets UL 94 V-0 Flammability Rating
- Halogen Free. "Green" Device (Note 1)
- Lead Free Finish/RoHS Compliant ("P" Suffix Designates RoHS Compliant. See Ordering Information)

Maximum Ratings

- Operating Junction Temperature Range: -55°C to +125°C
- Storage Temperature Range: -55°C to +125°C
- Thermal Resistance: 667°C/W Junction to Ambient

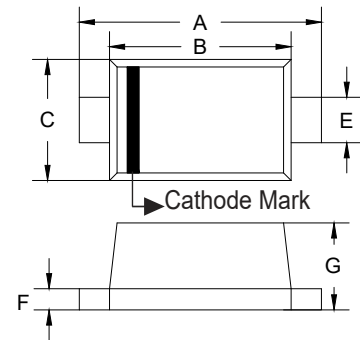
MCC Part Number	Device Marking
1SS388	S3

Parameter	Symbol	Value
Maximum Peak Reverse Voltage	V_{RM}	45V
Reverse Voltage	V_R	40V
Average Forward Current	$I_{F(AV)}$	100mA
Peak Forward Surge Current	I_{FSM}	1A
Power Dissipation	P_D	150mW

Note: 1. Halogen free "Green" products are defined as those which contain <900ppm bromine, <1000ppm chlorine, <1000ppm lead, <100ppm mercury, <1000ppm antimony, <1000ppm bismuth, <1000ppm barium, <1000ppm calcium, <1000ppm cerium, <1000ppm cobalt, <1000ppm copper, <1000ppm gallium, <1000ppm germanium, <1000ppm gold, <1000ppm indium, <1000ppm iron, <1000ppm magnesium, <1000ppm manganese, <1000ppm nickel, <1000ppm potassium, <1000ppm selenium, <1000ppm silver, <1000ppm sodium, <1000ppm strontium, <1000ppm tellurium, <1000ppm tin, <1000ppm titanium, <1000ppm vanadium, <1000ppm zinc, <1000ppm zirconium, <1000ppm yttrium, <1000ppm zirconium, <1000ppm antimony, <1000ppm bismuth, <1000ppm barium, <1000ppm calcium, <1000ppm cerium, <1000ppm cobalt, <1000ppm copper, <1000ppm gallium, <1000ppm germanium, <1000ppm gold, <1000ppm indium, <1000ppm iron, <1000ppm magnesium, <1000ppm manganese, <1000ppm nickel, <1000ppm potassium, <1000ppm selenium, <1000ppm silver, <1000ppm sodium, <1000ppm strontium, <1000ppm tellurium, <1000ppm tin, <1000ppm titanium, <1000ppm vanadium, <1000ppm zinc, <1000ppm zirconium, <1000ppm yttrium, <1000ppm zirconium.

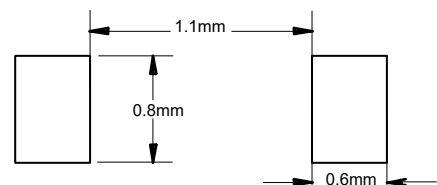
45 Volts Schottky Barrier Diode

SOD-523



DIM	INCHES		MM		NOTE
	MIN	MAX	MIN	MAX	
A	0.059	0.067	1.50	1.70	
B	0.043	0.051	1.10	1.30	
C	0.030	0.033	0.75	0.85	
E	0.010	0.014	0.25	0.35	
F	0.003	0.008	0.08	0.20	
G	0.020	0.026	0.50	0.65	

Suggested Solder Pad Layout



Electrical Characteristics @ 25°C (Unless Otherwise Specified)

Parameter	Symbol	Conditions	Min.	Typ.	Max.	Units
Forward Voltage	V_F	$I_F=1\text{mA}$		0.28		V
		$I_F=10\text{mA}$		0.36		V
		$I_F=50\text{mA}$		0.54	0.6	V
Reverse Current	I_R	$V_R=10\text{V}$			5	μA
Junction Capacitance	C_J	$V_R = 0\text{V}, f = 1\text{MHz}$		18	25	pF

Curve Characteristics

Fig. 1 - Typical Instantaneous Forward Characteristics

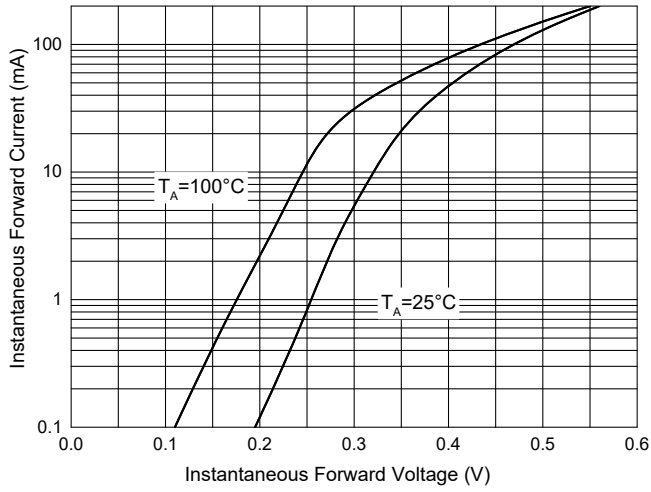


Fig. 2 - Typical Reverse Leakage Characteristics

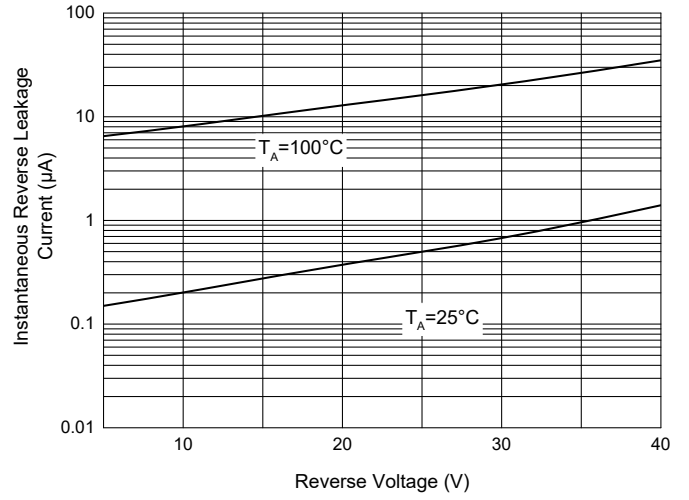
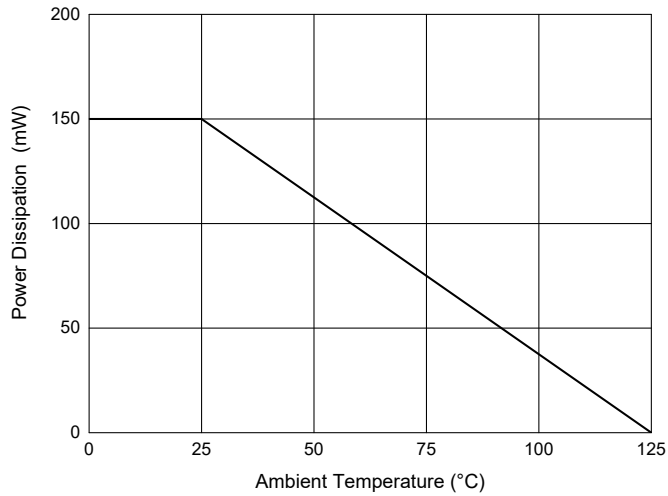


Fig. 3 - Power Derating Curve



Ordering Information

Device	Packing
Part Number-TP	Tape&Reel: 8Kpcs/Reel

IMPORTANT NOTICE

Micro Commercial Components Corp. reserves the right to make changes without further notice to any product herein to make corrections, modifications , enhancements , improvements , or other changes . **Micro Commercial Components Corp** . does not assume any liability arising out of the application or use of any product described herein; neither does it convey any license under its patent rights ,nor the rights of others . The user of products in such applications shall assume all risks of such use and will agree to hold **Micro Commercial Components Corp** . and all the companies whose products are represented on our website, harmless against all damages. **Micro Commercial Components Corp** . products are sold subject to the general terms and conditions of commercial sale, as published at <https://www.mccsemi.com/Home/TermsAndConditions>.

LIFE SUPPORT

MCC's products are not authorized for use as critical components in life support devices or systems without the express written approval of Micro Commercial Components Corporation.

CUSTOMER AWARENESS

Counterfeiting of semiconductor parts is a growing problem in the industry. Micro Commercial Components (MCC) is taking strong measures to protect ourselves and our customers from the proliferation of counterfeit parts. MCC strongly encourages customers to purchase MCC parts either directly from MCC or from Authorized MCC Distributors who are listed by country on our web page cited below. Products customers buy either from MCC directly or from Authorized MCC Distributors are genuine parts, have full traceability, meet MCC's quality standards for handling and storage. **MCC will not provide any warranty coverage or other assistance for parts bought from Unauthorized Sources.** MCC is committed to combat this global problem and encourage our customers to do their part in stopping this practice by buying direct or from authorized distributors.