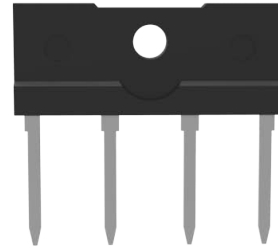


**Mechanical Data**

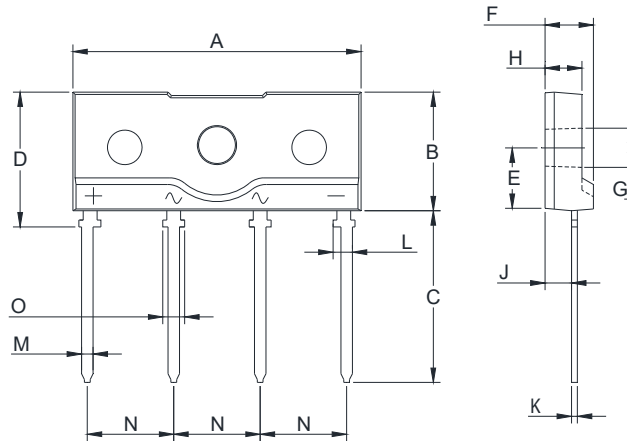
- Weight: 2.5560 grams (Approximate)
- Moisture Sensitivity Level 1
- Halogen Free Available Upon Request By Adding Suffix "-HF"
- Epoxy Meets UL 94 V-0 Flammability Rating
- Lead Free Finish/RoHS Compliant (Note1) ("P" Suffix Designates RoHS Compliant. See Ordering Information)

**Package 3D Photo**



Note: 1. High Temperature Solder Exemption Applied, see EU Directive Annex 7a.

**Package Outline Dimensions**



| DIMENSIONS |        |       |       |       |      |
|------------|--------|-------|-------|-------|------|
| DIM        | INCHES |       | MM    |       | NOTE |
|            | MIN    | MAX   | MIN   | MAX   |      |
| A          | 0.972  | 0.996 | 24.70 | 25.30 |      |
| B          | 0.394  | 0.417 | 10.00 | 10.60 |      |
| C          | 0.575  | 0.598 | 14.60 | 15.20 |      |
| D          | 0.449  | 0.472 | 11.40 | 12.00 |      |
| E          | 0.213  | 0.236 | 5.40  | 6.00  |      |
| F          | 0.154  | 0.177 | 3.90  | 4.50  |      |
| G          | 0.122  | 0.134 | 3.10  | 3.40  |      |
| H          | 0.114  | 0.138 | 2.90  | 3.90  |      |
| J          | 0.079  | 0.102 | 2.00  | 2.60  |      |
| K          | 0.012  | 0.024 | 0.40  | 0.60  |      |
| L          | -      | 0.069 | -     | 1.75  |      |
| M          | 0.035  | 0.043 | 0.90  | 1.10  |      |
| N          | 0.287  | 0.303 | 7.30  | 7.70  |      |
| O          | 0.083  | 0.091 | 2.10  | 2.30  |      |

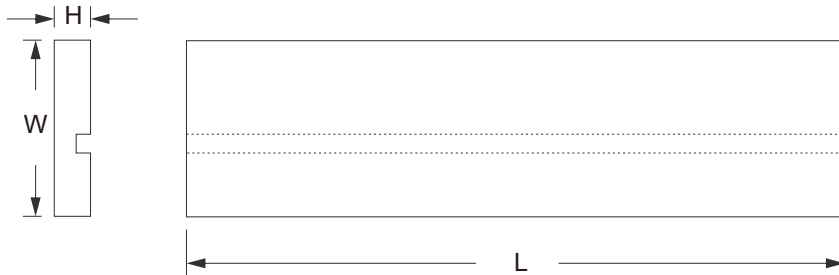
## Packing Quantity

| Package | Package Type | Tube Quantity | Box Quantity | Carton Quantity |
|---------|--------------|---------------|--------------|-----------------|
| JB      | Tube         | 20            | 900          | 1800            |

Note 1: These are minimum package quantities only. Minimum orders will differ. Contact the factory for more information on minimum order quantities.

## Dimensions

### Tube Size



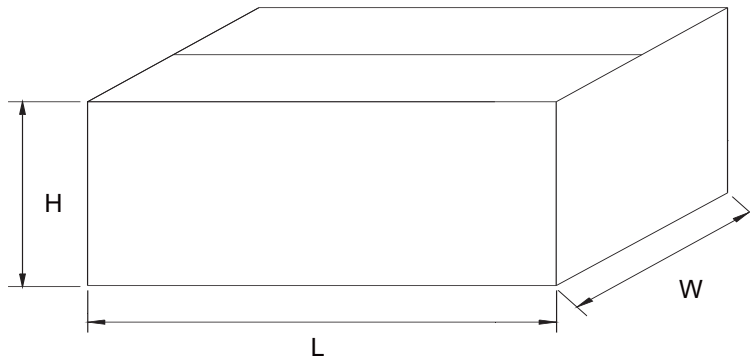
| Description | Dimension | Specification(mm typical) |
|-------------|-----------|---------------------------|
| Length      | L         | 514                       |
| Width       | W         | 30                        |
| Height      | H         | 6.8                       |

### Inbox Size



| Description | Dimension | Specification(mm typical) |
|-------------|-----------|---------------------------|
| Length      | L         | 540                       |
| Width       | W         | 115                       |
| Height      | H         | 100                       |

### Carton Size



| Description | Dimension | Specification(mm typical) |
|-------------|-----------|---------------------------|
| Length      | L         | 560                       |
| Width       | W         | 255                       |
| Height      | H         | 120                       |